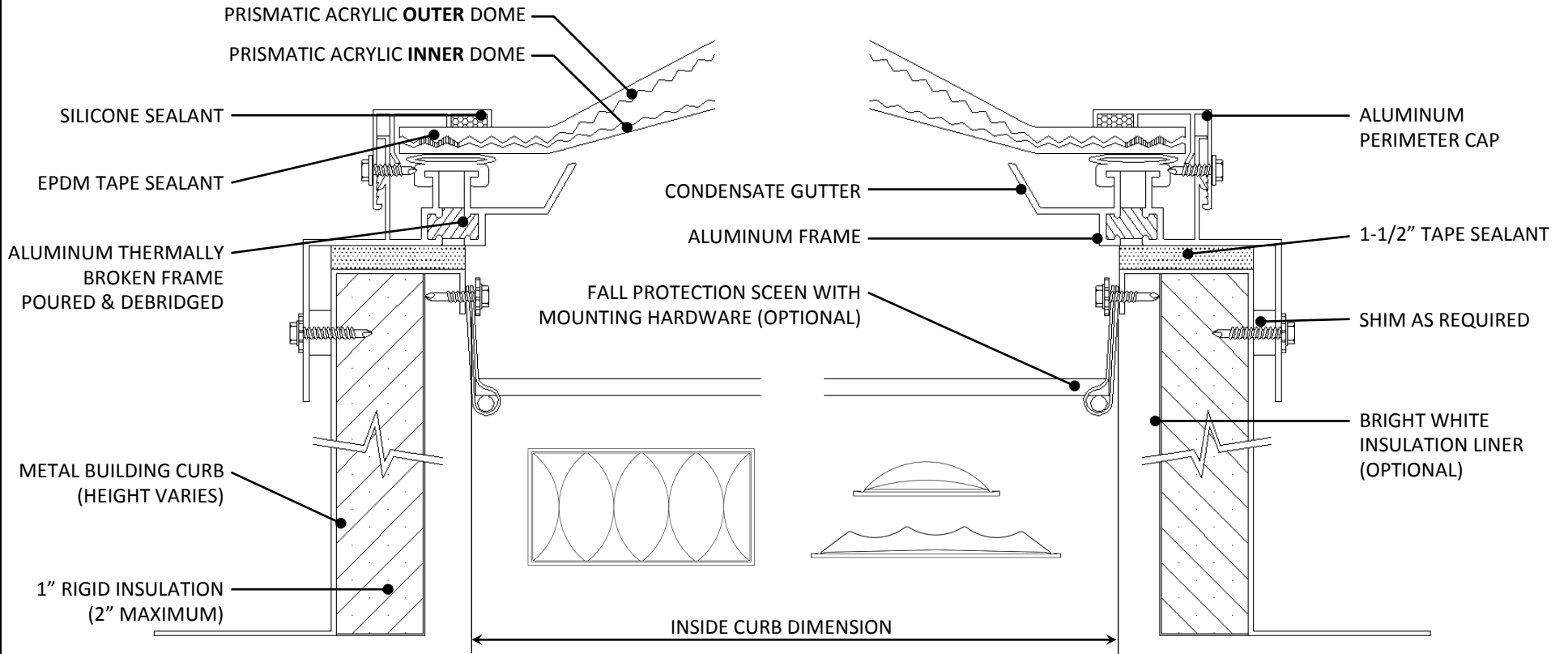


RS PRISMATIC DOUBLE DOME SKYLIGHT WITH ALUMINUM THERMALLY BROKEN FRAME

INTEGRATED METAL BUILDING CURB



| CUSTOMER: | | SPECIFICATIONS | | MODEL # | INSIDE CURB | QTY |
|---|-----------------|--|--|--|-------------|----------------------------------|
| PROJECT: | | SKYLIGHT GLAZING Clear Prismatic Acrylic Outer Dome White Prismatic Acrylic Inner Dome | | 4848-ATB-DD-CAP/WAP-MB | 48" x 48" | |
| PROJECT ADDRESS: | | | | 4896-ATB-DD-CAP/WAP-MB | 48" x 96" | |
| ARCHITECT: | | SKYLIGHT FRAME 6063-T6 Extruded Aluminum—Mill Finish Thermally Broken (Poured & Debridged) | | 2448-ATB-DD-CAP/WAP-MB | 24" x 48" | |
| PREPARED BY: | SUBMITTAL DATE: | | | 4872-ATB-DD-CAP/WAP-MB | 48" x 72" | |
| JOB #: | DRAWING #: | PERFORMANCE VLT: 0.70 SHGC: 0.50 U-Factor: 0.65 Haze: 98% | | | | |
| APPROVED BY: | APPROVAL DATE: | | | | | |
| R&S Manufacturing and Sales Co. 3575 Old Conejo Road Newbury Park, CA 91320 | | T: 805.375.3980 / F: 805.375.3981 sales@RnSsales.com www.RnSsales.com | | CERTIFICATIONS AAMA/WDMA/CSA 101/I.S.2/A440-08 | | CONTACT R&S FOR ADDITIONAL SIZES |