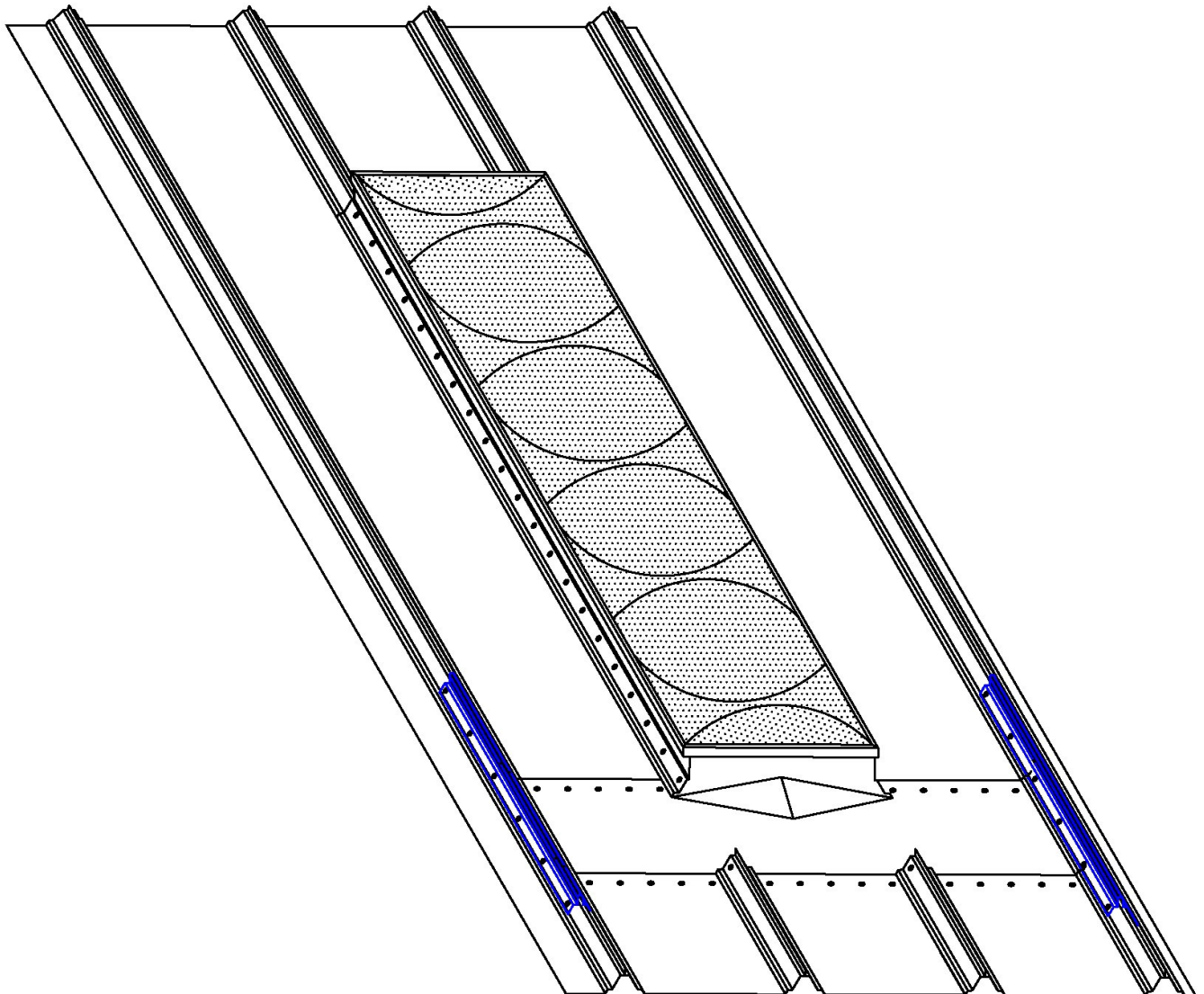


## **RS24-10 Single-Section Skylight System**

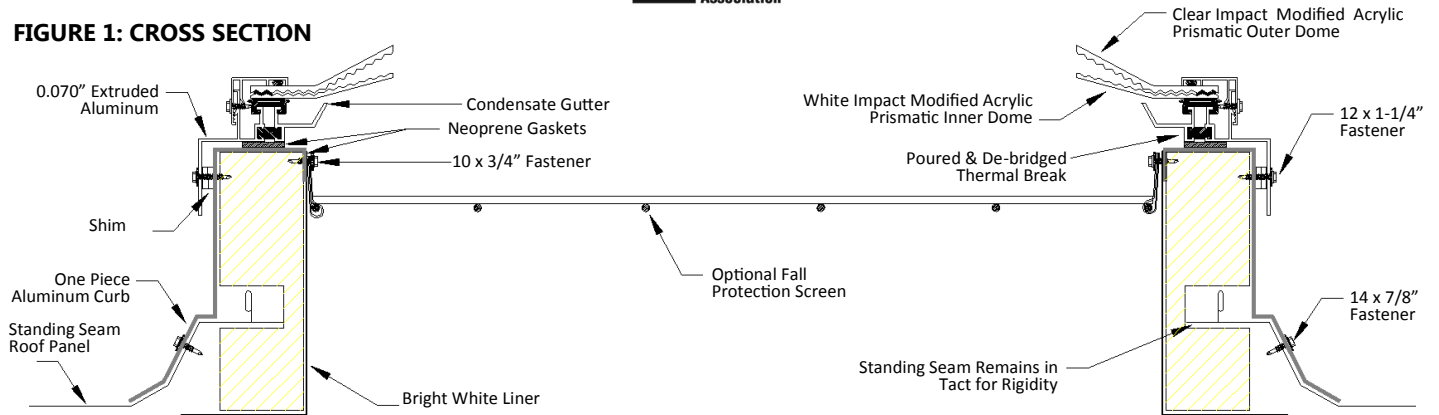
under/over seam clip double diverter



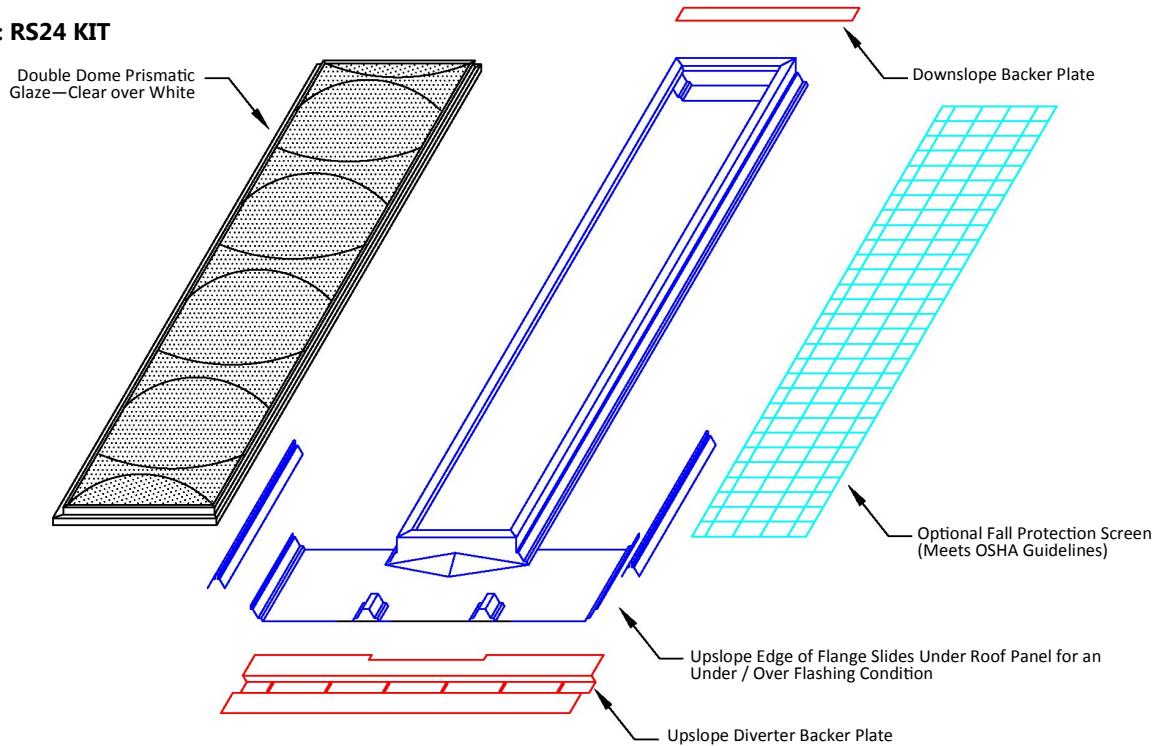
**Questions or Need Assistance? 800-423-1619**



**FIGURE 1: CROSS SECTION**



**FIGURE 2: RS24 KIT**



**CONSTRUCTION**

- 0.080" Aluminum Under/Over Fully Welded & Assembled Base
- 0.070" Extruded Aluminum Thermally Broken Skylight Frame
- 2" Rigid Vertical Insulation with Bright White Metal Liner
- 1/8" x 1" Neoprene Gasket Seals Skylight Frame
- Clear, 100% Impact Modified Acrylic Prismatic 0.177" Outer Dome
- White, 100% Impact Modified Acrylic Prismatic 0.118" Inner Dome
- 2-1/2" Triple Bead Mastic Tape, Polyurethane Sealant
- #5 Tek Shoulder Screws
- Long-Life Self Drillers w/ Washers: 12-14 x 1-1/4" & 14 x 7/8"
- Long-Life Self Drillers w/o Washers: 12 x 1-1/4" & 10 x 3/4"
- Expansion Joint Covers with 1/4" Flanged Shoulder Spacers

**PERFORMANCE**

- 70% Visible Light Transmittance with 100% Haze Factor
- 0.50 Solar Heat Gain Coefficient
- 0.65 U Factor or 1.54 R Value
- AAMA/WDMA/CSA 101/I.S.2/A440-08

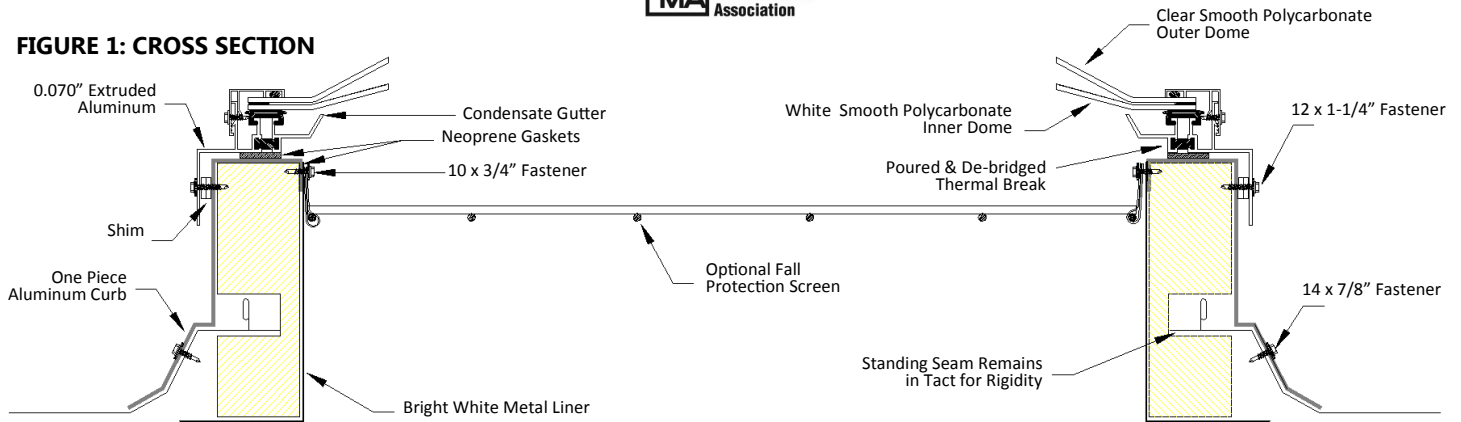
**OPTIONS**

- 4" x 4" x 3/16" galvanized steel fall protection screen
- RS24 Custom Length—Increments of 5': \_\_\_\_\_
- Panel Offset Height: 3/8", 1-3/8", Custom \_\_\_\_\_
- Liner Height: 5-7/8", Custom \_\_\_\_\_
- Liner Base: 3", Custom \_\_\_\_\_

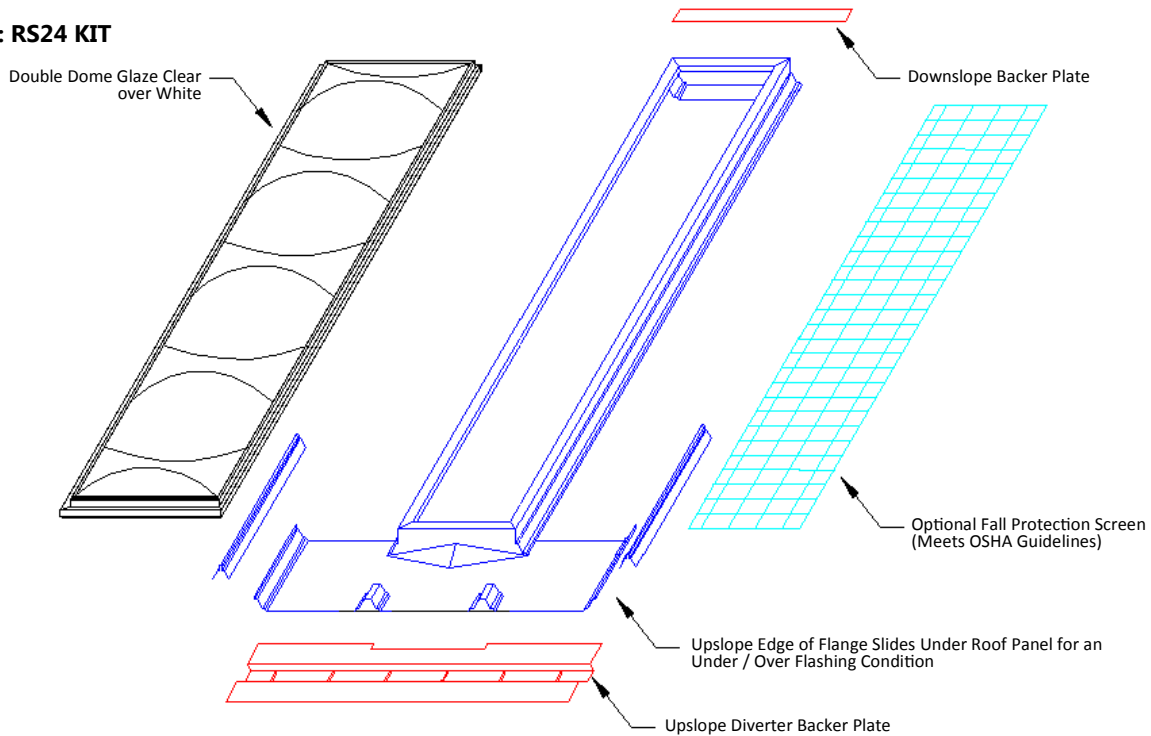
Customer		Date		Model		Quantity	
Project Name		Roof Panel		Panel Offset Height	3/8"	1-3/8"	



**FIGURE 1: CROSS SECTION**



**FIGURE 2: RS24 KIT**



**CONSTRUCTION**

- 0.080" Aluminum Under/Over Fully Welded & Assembled Base
- 0.070" Extruded Aluminum Thermally Broken Skylight Frame
- 2" Rigid Vertical Insulation with Bright White Metal Liner
- 1/8" x 1" Neoprene Gasket Seals Skylight Frame
- Clear Smooth Polycarbonate 0.118" Outer Dome
- White Smooth Polycarbonate 0.118" Inner Dome
- 2-1/2" Triple Bead Mastic Tape, Polyurethane Sealant
- #5 Tek Shoulder Screws
- Long-Life Self Drillers w/ Washers: 12-14 x 1-1/4" & 14 x 7/8"
- Long-Life Self Drillers w/o Washers: 12 x 1-1/4" & 10 x 3/4"
- Expansion Joint Covers with 1/4" Flanged Shoulder Spacers

**PERFORMANCE**

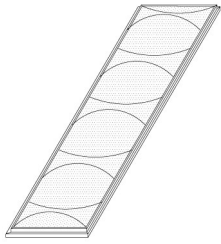
- 60% Visible Light Transmittance with 98% Haze Factor
- 0.26 Solar Heat Gain Coefficient
- 0.70 U Factor or 1.43 R Value
- AAMA/WDMA/CSA 101/I.S.2/A440-08

**OPTIONS**

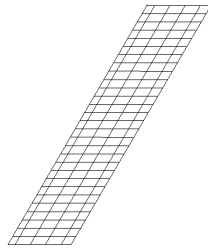
- 4" x 4" x 3/16" galvanized steel fall protection screen
- RS24 Custom Length—Increments of 5' \_\_\_\_\_
- Panel Offset Height: 3/8", 1-3/8", Custom \_\_\_\_\_
- Liner Height: 5-7/8", Custom \_\_\_\_\_
- Liner Base: 3", Custom \_\_\_\_\_
- Miami-Dade County Control Approved \_\_\_\_\_

Customer		Date		Model		Quantity	
Project Name		Roof Panel		Panel Offset Height	3/8"	1-3/8"	

**SKYLIGHT DOMES & SCREENS**

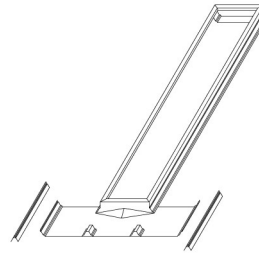


10' Normal Frame  
Qty \_\_\_\_\_



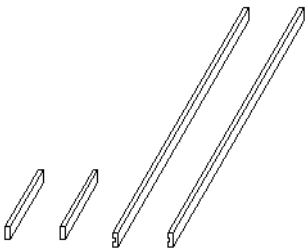
10' Safety Screen  
Qty \_\_\_\_\_

**SKYLIGHT CURB**

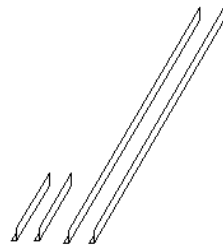


10' Complete Curb  
Qty \_\_\_\_\_

**CURB INSULATION & LINERS**

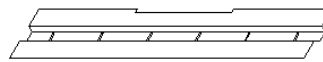


10' Insulation Set  
Qty \_\_\_\_\_

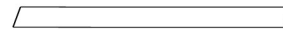


10' Curb Liner Set  
Qty \_\_\_\_\_

**BACKER CHANNELS**



Upslope Backer Channel  
Qty \_\_\_\_\_



Downslope Backer Channel  
Qty \_\_\_\_\_

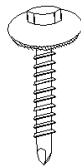
**FASTENERS**



#5 1/4\"/>



#12 14x1-1/4\"/>



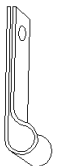
#14 x 7/8\"/>



#12 x 1-1/4\"/>

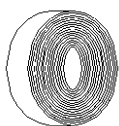


#10 x 3/4\"/>



Safety Screen Clip  
Spaced 12\"/>

**SEALANTS**



2-1/2\"/>

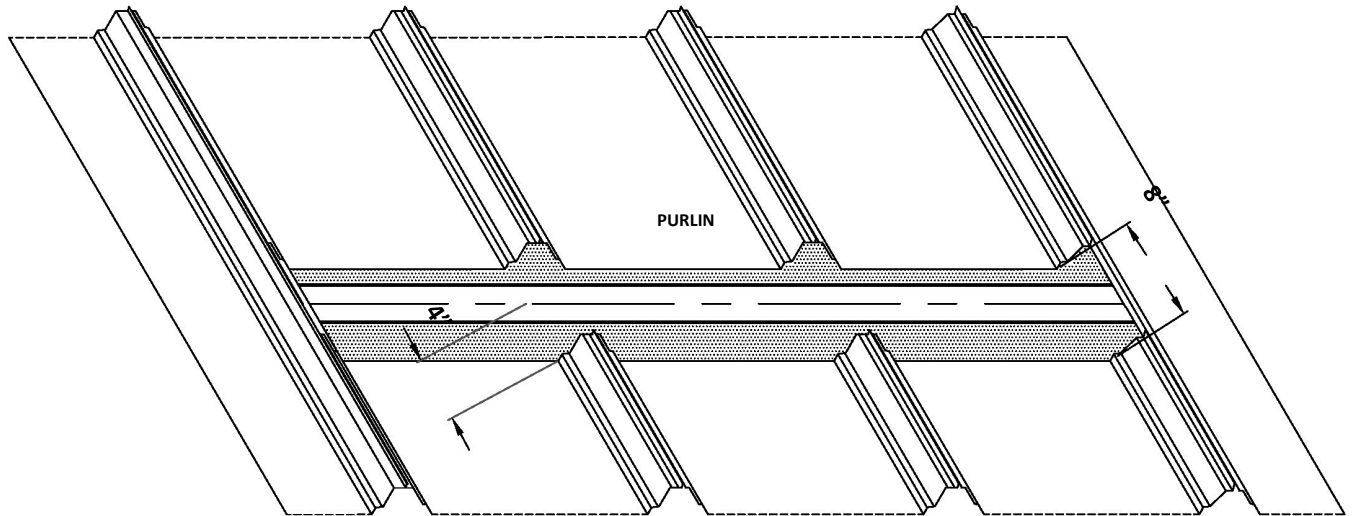


Polyurethane Sealant  
10 OZ Cartridge  
Qty \_\_\_\_\_

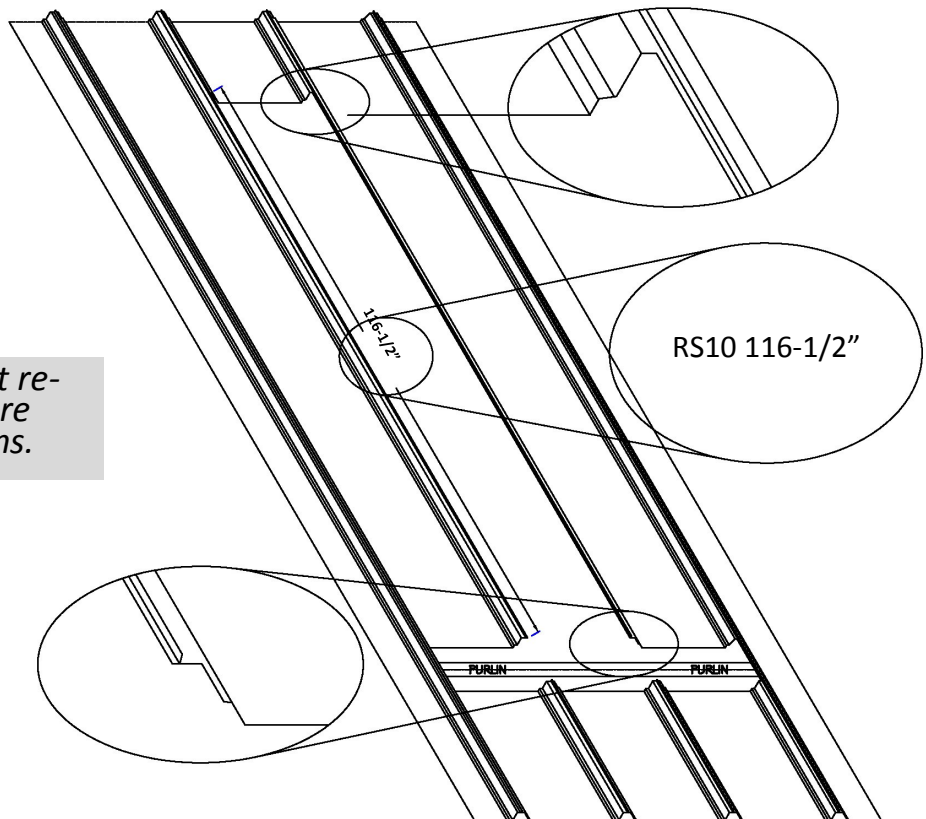


**IMPORTANT:** The RS24 Skylight System is designed to be installed after the roof has been put in place. The skylight system includes components required to allow the units to expand and contract with the roof sheathing.

- 1 The curb upslope flange is located near the upslope purlin. Reference the center line of the purlin top web for center of the opening. Remove 8" of the roof panel where the skylight will be installed.



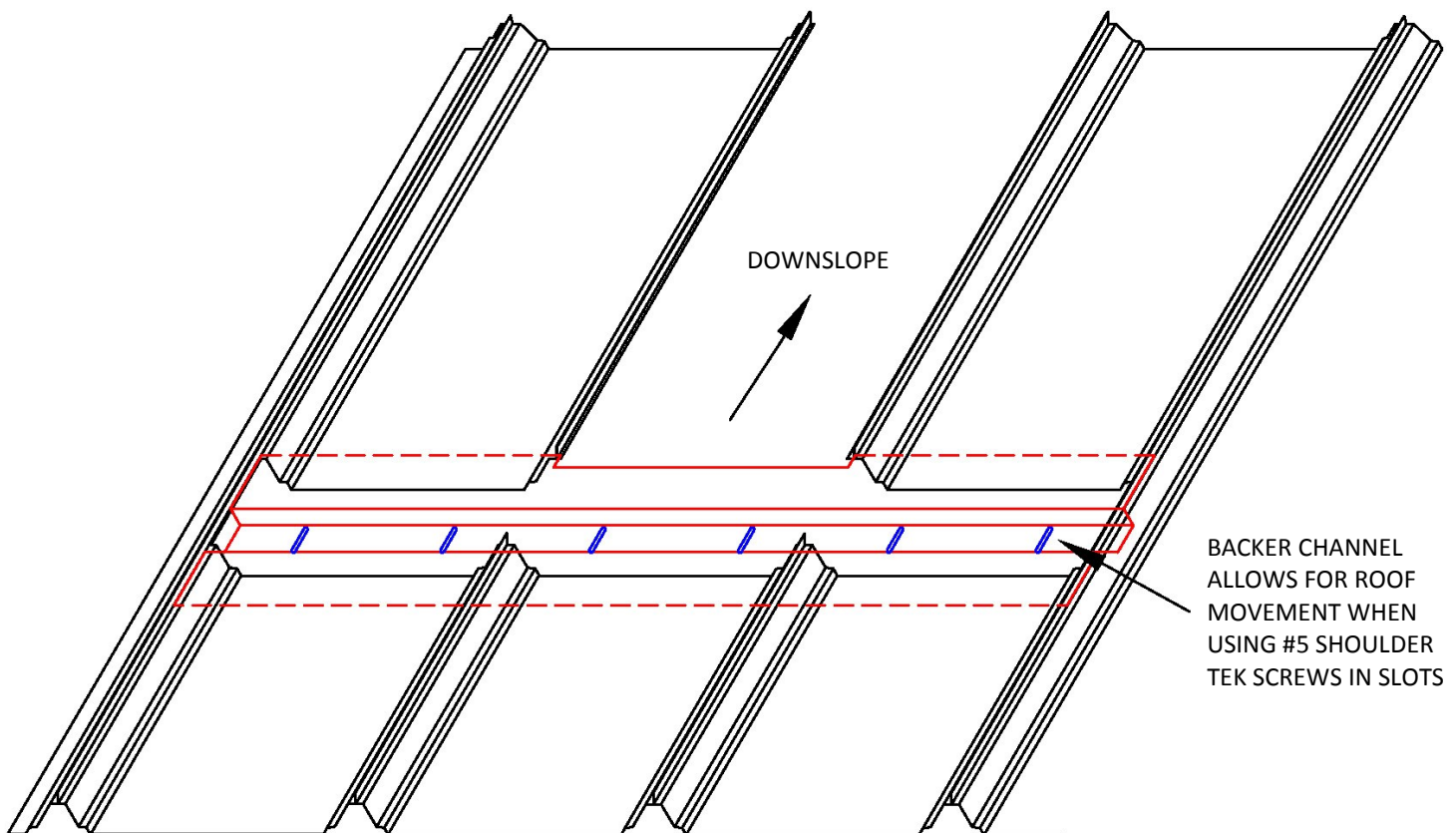
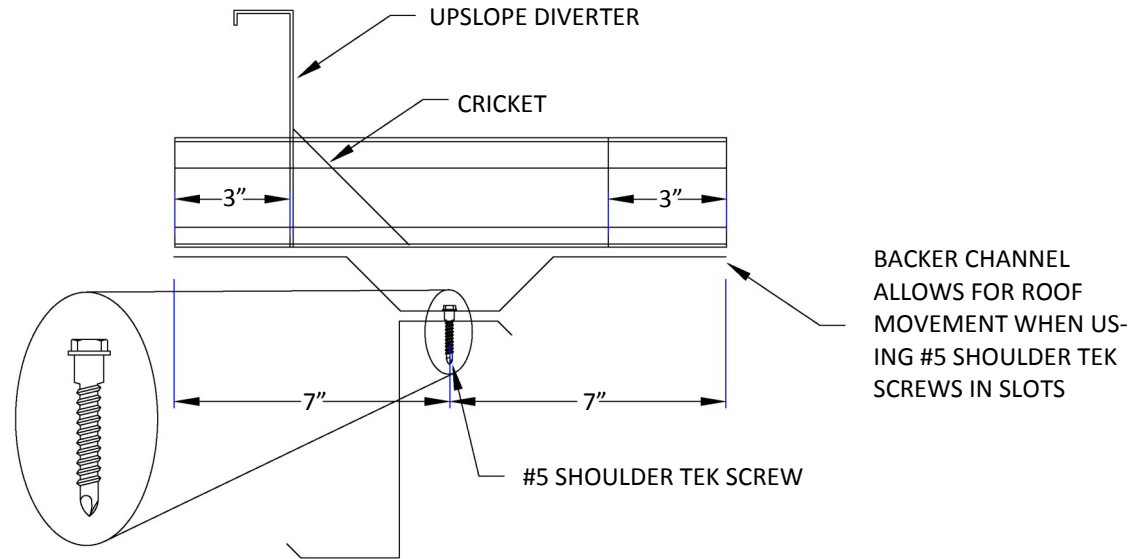
- 2 Remove 116-1/2" of roof sheathing as shown below. Do not remove roof clips when crossing purlins. Clean the sheathing area and remove metal shavings.



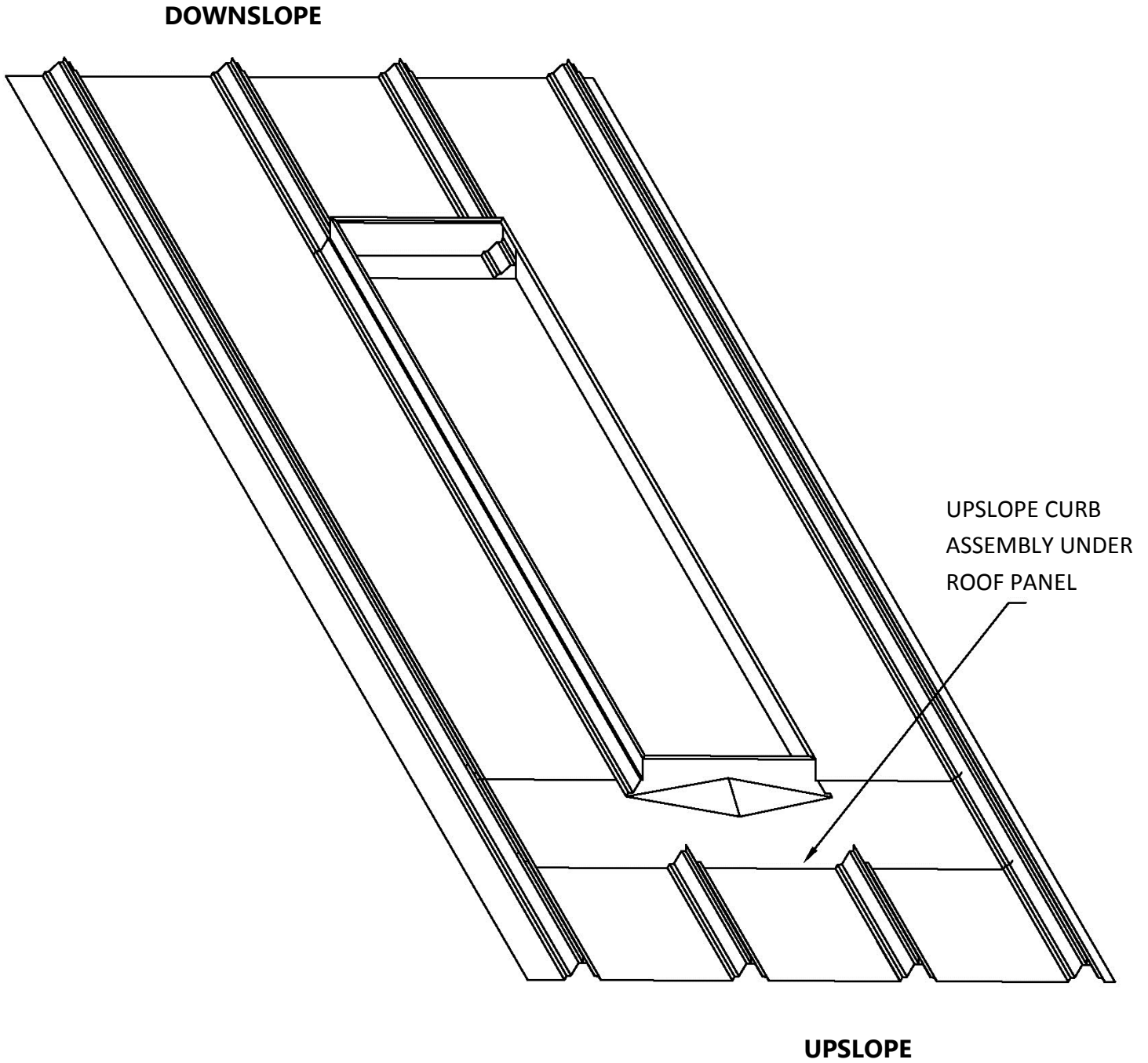
**IMPORTANT:** Do not remove roof clips where skylights cross purlins.



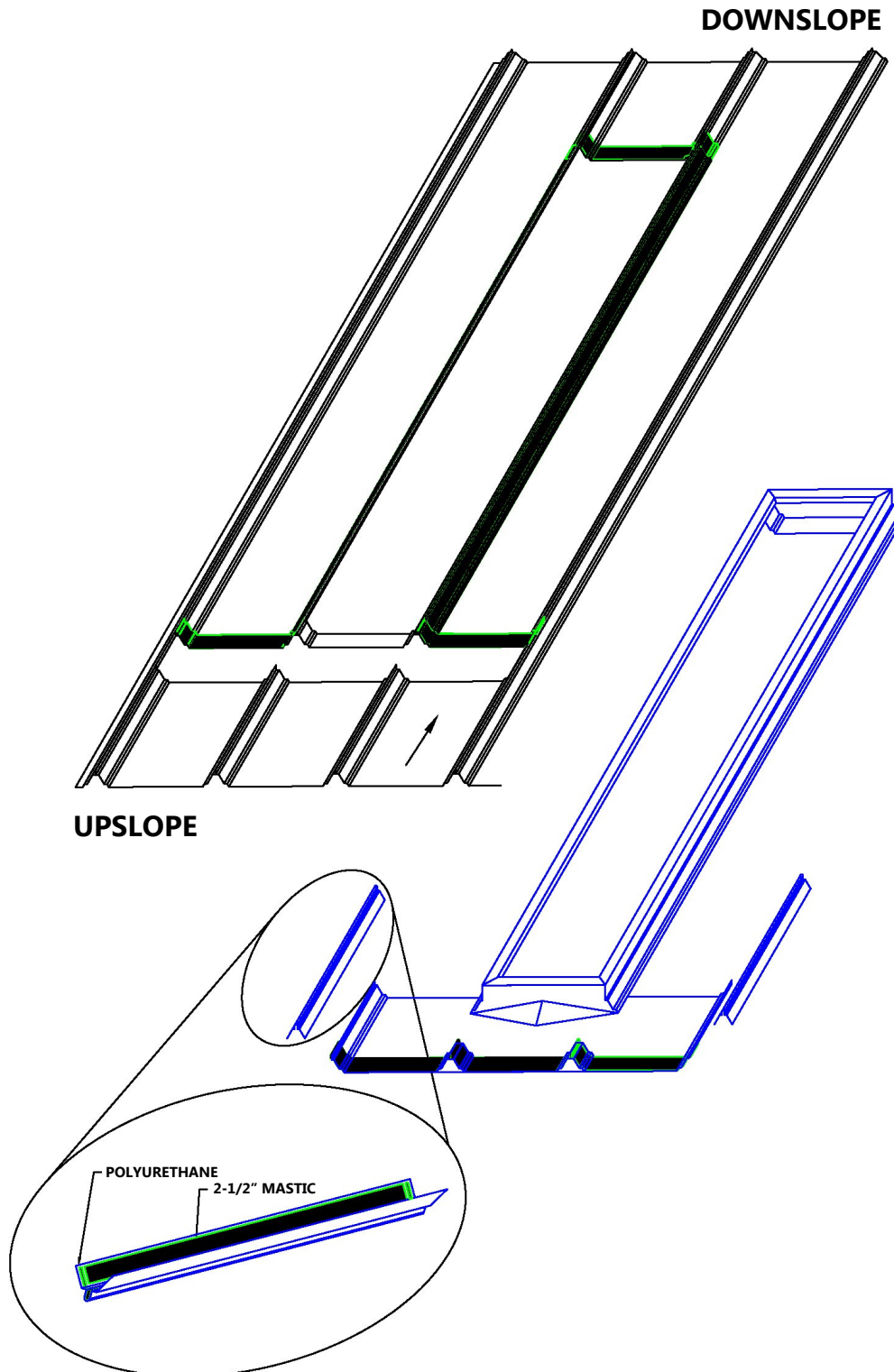
- 3** Place the steel upslope backer channel, with the 1" notch facing into the opening as shown below, under the roof sheeting and onto the purlin. Fasten the channel with six #5 shoulder tek screws to allow for roof movement.



- 4** Secure the upslope curb, and sides in place. Mark a line matching the outline of the curb.

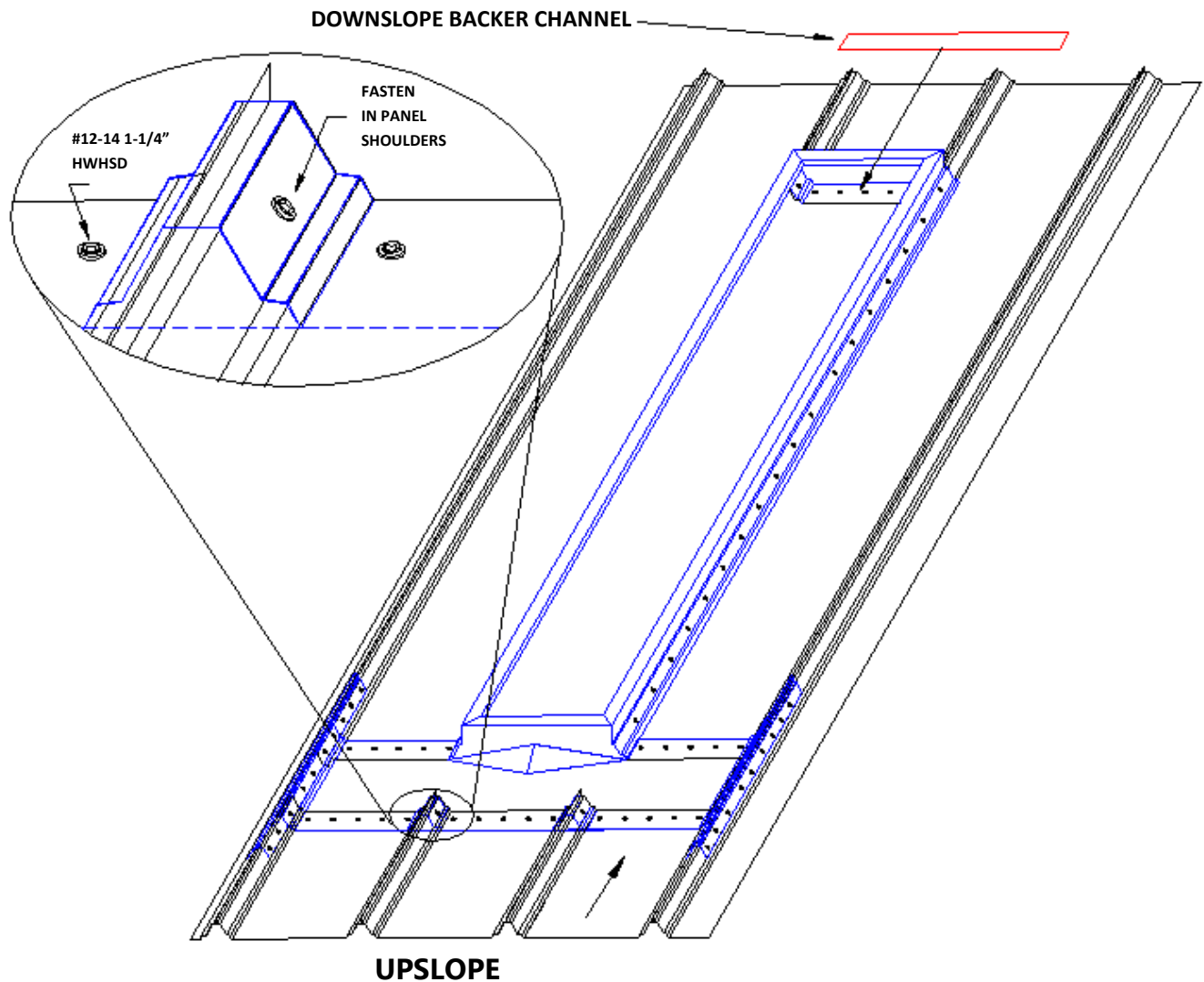


- 5**
- Remove curb and clean the sealing surfaces. Place 2-1/2" of butyl sealant over the panel within the outline drawn in step 4. Place 2-1/2" of butyl sealant over the leading edge of the curb.
  - Run a 3/8" bead of polyurethane over all mastic surfaces. Prepare the seam clips and expansion joint face with mastic and polyurethane sealants and as shown below.

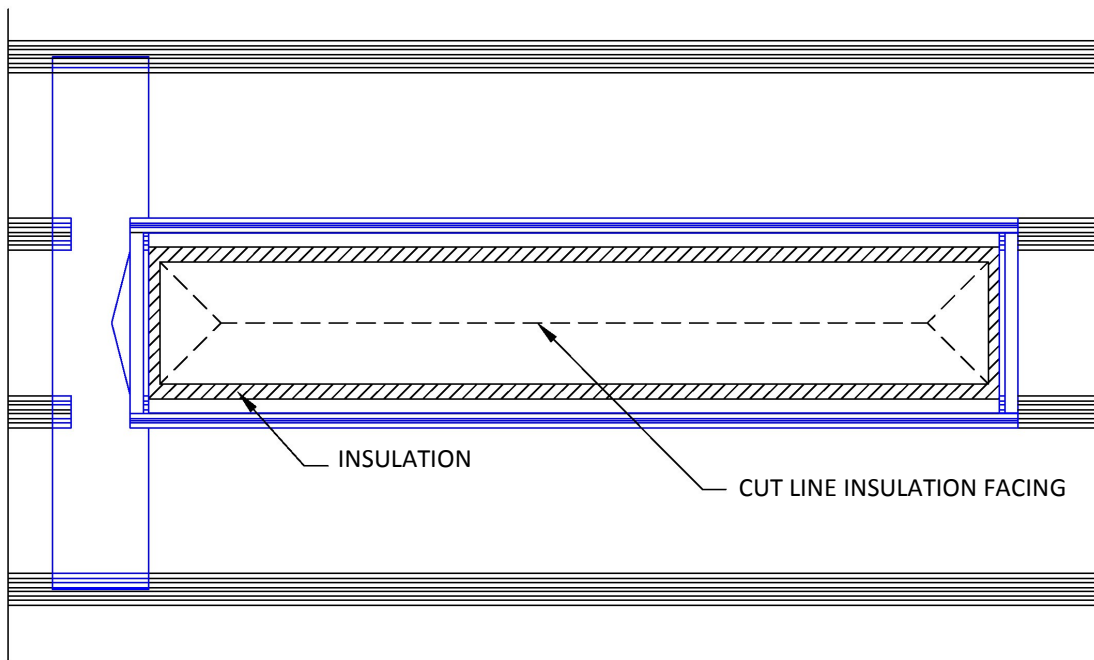




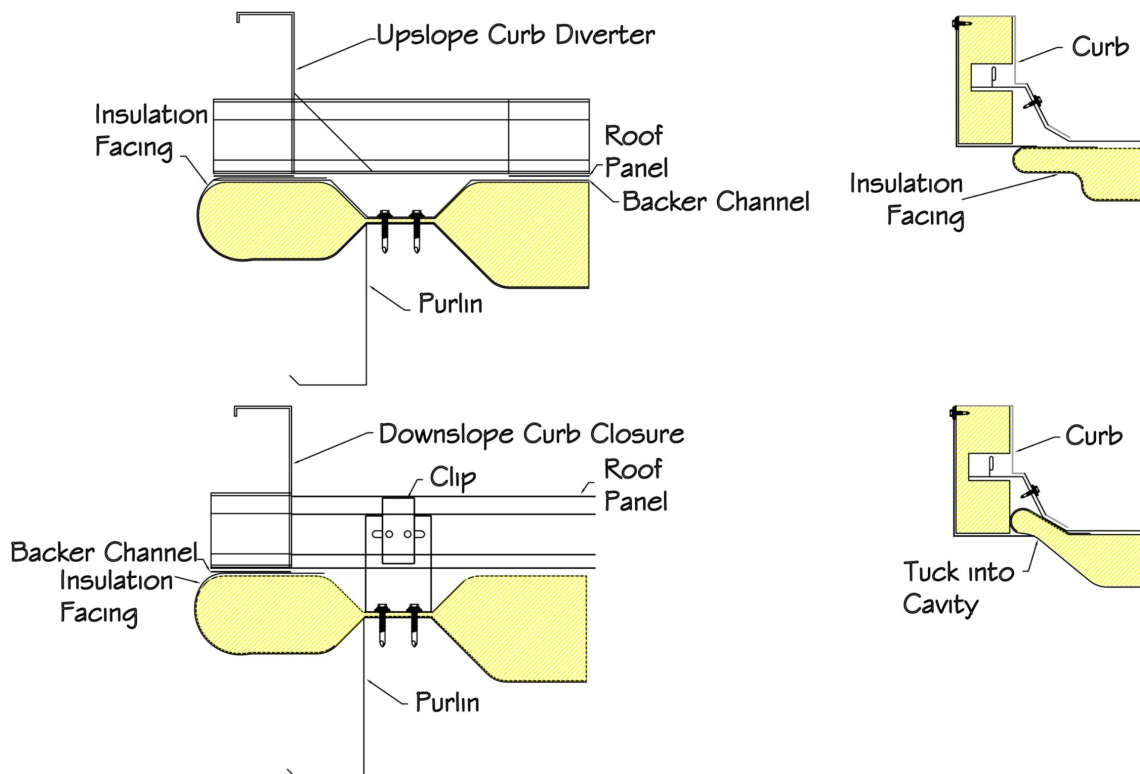
- 6**
- Install the curb with the leading edge under the roof panel and with the sides and downslope over the panel.
  - Locate the downslope backer channel under the roof panel and downslope flange. **The downslope mounting location must be within 12" of a purlin.**
  - Upslope and downslope flanges are secured with #12-14 1-1/4" long life integrated washered head self drilling fasteners at 4" centers so that the sealing washer is flat on the outside surface. Secure sufficiently so a small amount of sealant is exposed along the sides.
  - Attach the seam clips and side rails with #14 7/8" long life integrated washered head self drilling fasteners, 6" on center on both sides of the seam clips.



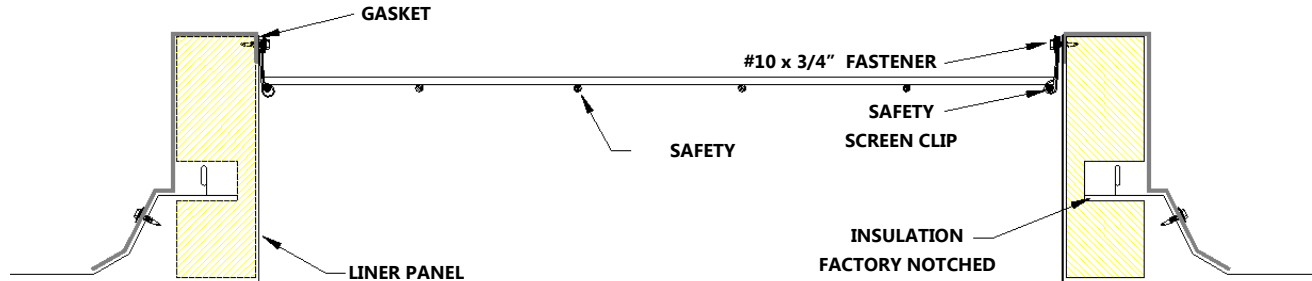
- 7** Remove the fiberglass insulation on the inside area, leaving a 2-3" perimeter. The facing remains in place. Cut the insulation facing as shown below.



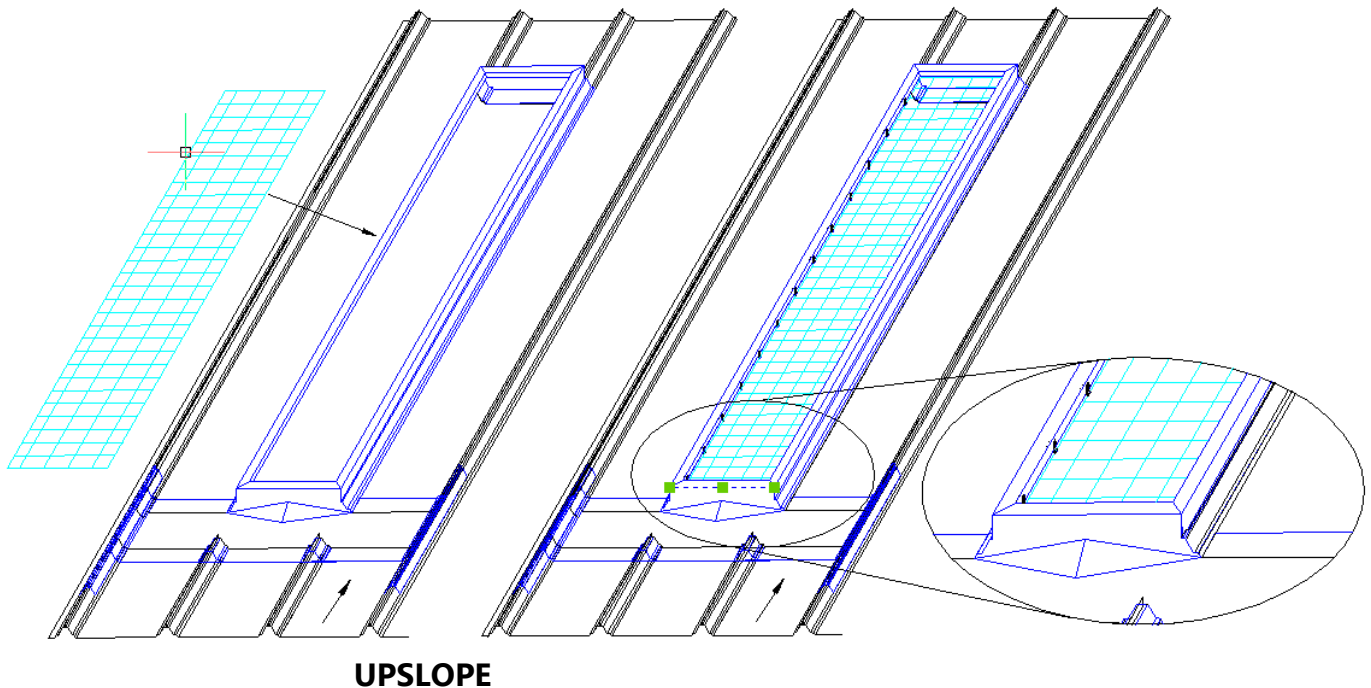
- 8** Terminate the exposed facing in any of the following ways. Tape the exposed facing if necessary.



- 9** Install the side wall insulation and liner panels as shown. The insulation is notched to surround the remaining roof panel. The liner panel is placed over the insulation and fastened with self-drilling screws in the pre-punched holes. If safety screen is included, position as shown in step 10, and use the self drilling fasteners to secure the liner and safety screen assembly at the same time using the same pre-punched holes.



- 10** If the **safety screen** option is included, align the screen over the opening as shown. Using the clips, gasket, and fasteners provided, fasten a clip every 12" around the perimeter. See detailed clip positioning above.



- 11** Install the RS24 skylight so it is centered on the curb and so it compresses the foam rubber gasket to the curb. Secure the skylight frame to the curb in pre-drilled holes with #12 1-1/4" self-drilling fasteners, shimming to avoid excessive stress on the skylight frame. *Do not over tighten the fasteners.*