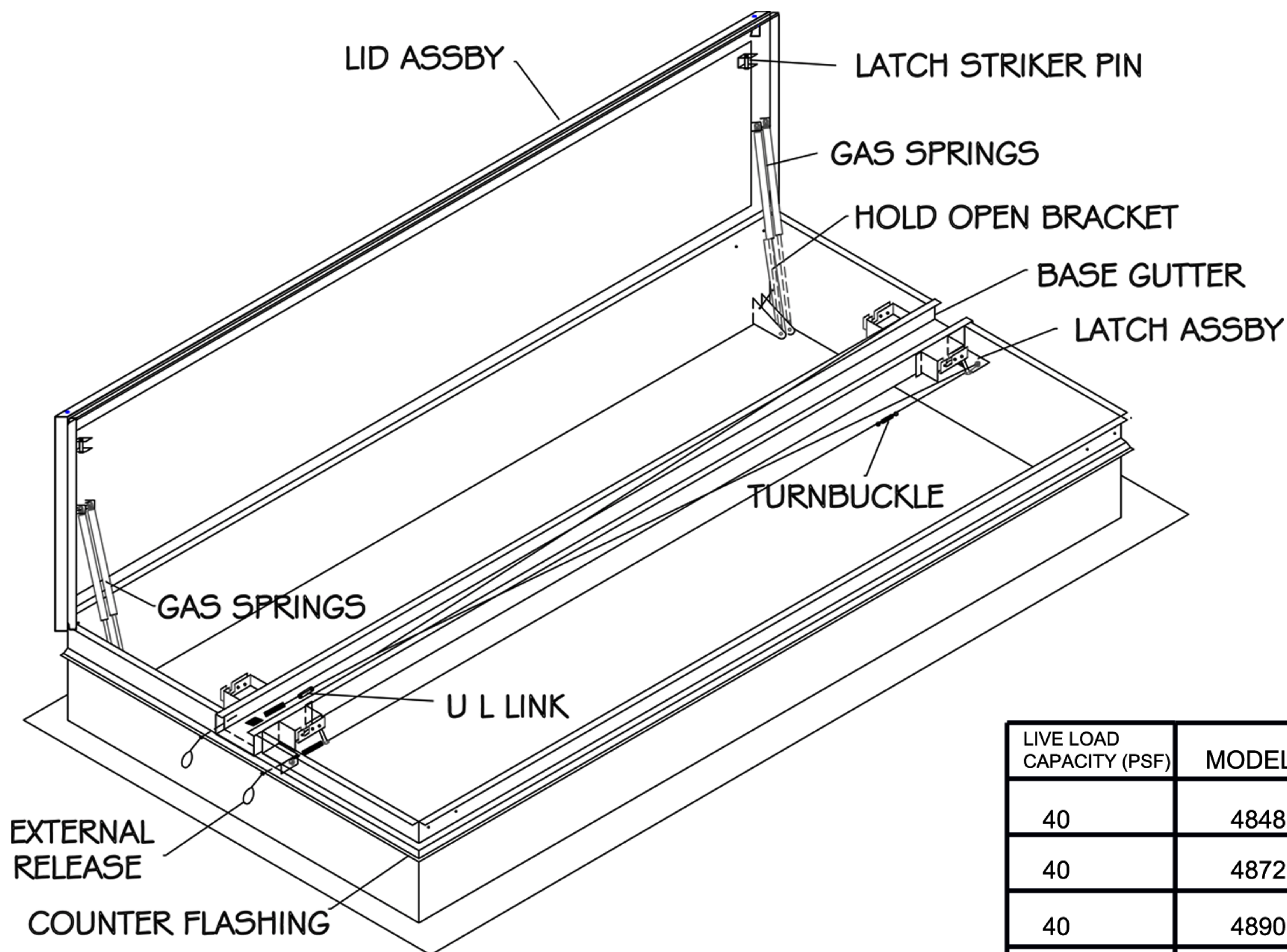
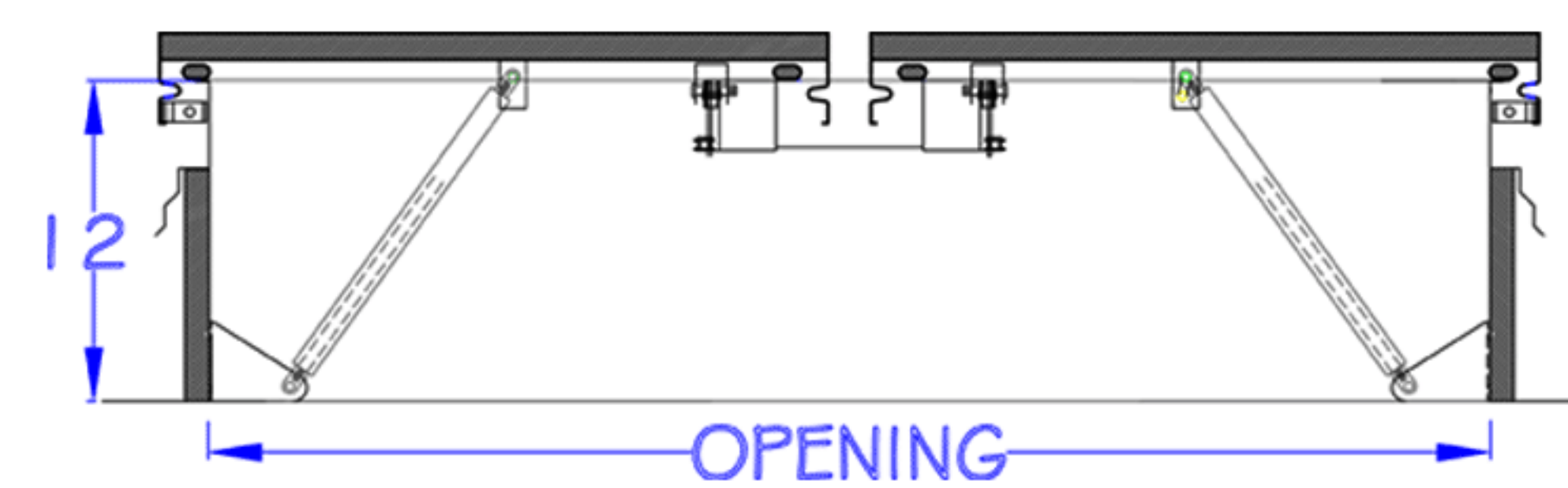
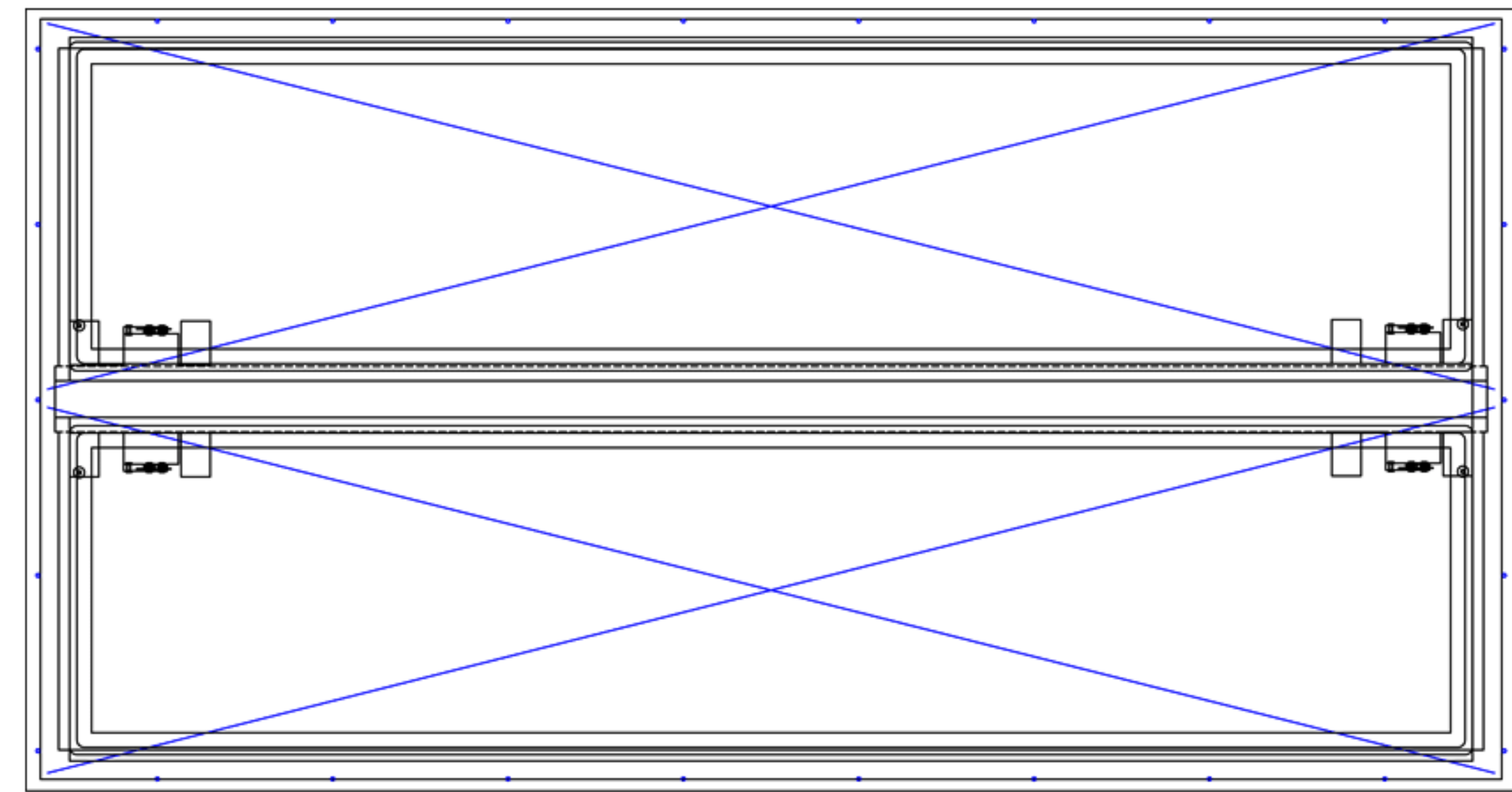


# UL LISTED - SOLID LID - HIGH CAPACITY

## SPECIFICATIONS

- Fully Welded & Assembled Curb 18 GA G90 Steel or 0.063" Aluminum
- 4" x 4" x 3/16" Galvanized Steel OSHA Compliant Safety Screen Option
- Base options include self flashing, curb mount and metal building
- 1" Rigid Insulation R7.2
- Full perimeter EPDM bulb gaskets
- Lids open against a 20 to 40 PSF live load
- Lid uplift rating 30 PSF
- Hinges and latches 12 GA galvanized steel
- Latches rated for 90 PSF uplift
- UL listed fusible or McCabe resettable links
- Inside and outside manual releases
- High performance gas springs with hold open



| LIVE LOAD CAPACITY (PSF) | MODEL | SIZE      |
|--------------------------|-------|-----------|
| 40                       | 4848  | 48" x 48" |
| 40                       | 4872  | 48" x 72" |
| 40                       | 4890  | 48" x 90" |
| 35                       | 4896  | 48" x 96" |
| 30                       | 6060  | 60" x 60" |
| 30                       | 6072  | 60" x 72" |
| 20                       | 6090  | 60" x 90" |
| 20                       | 6096  | 60" x 96" |



**R&S Manufacturing and Sales**  
 www.RnSsales.com  
 sales@RnSsales.com  
 805-375-3980 Fax 805-375-3981

CUSTOMER

QUANTITY

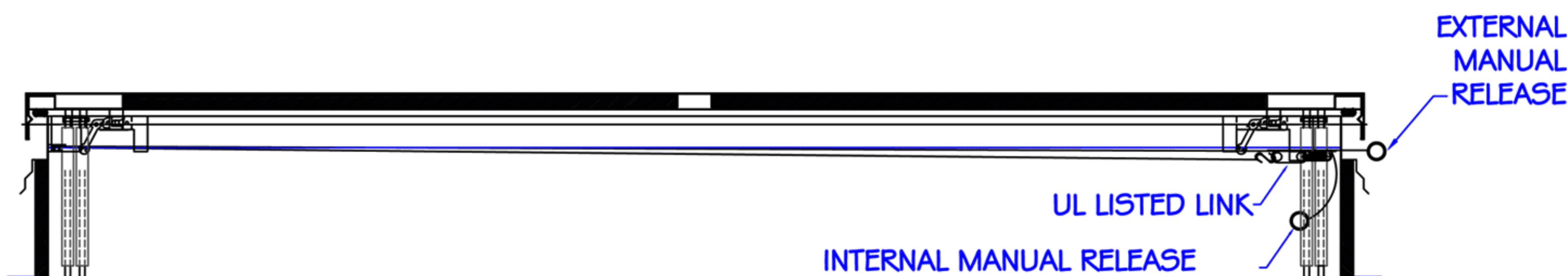
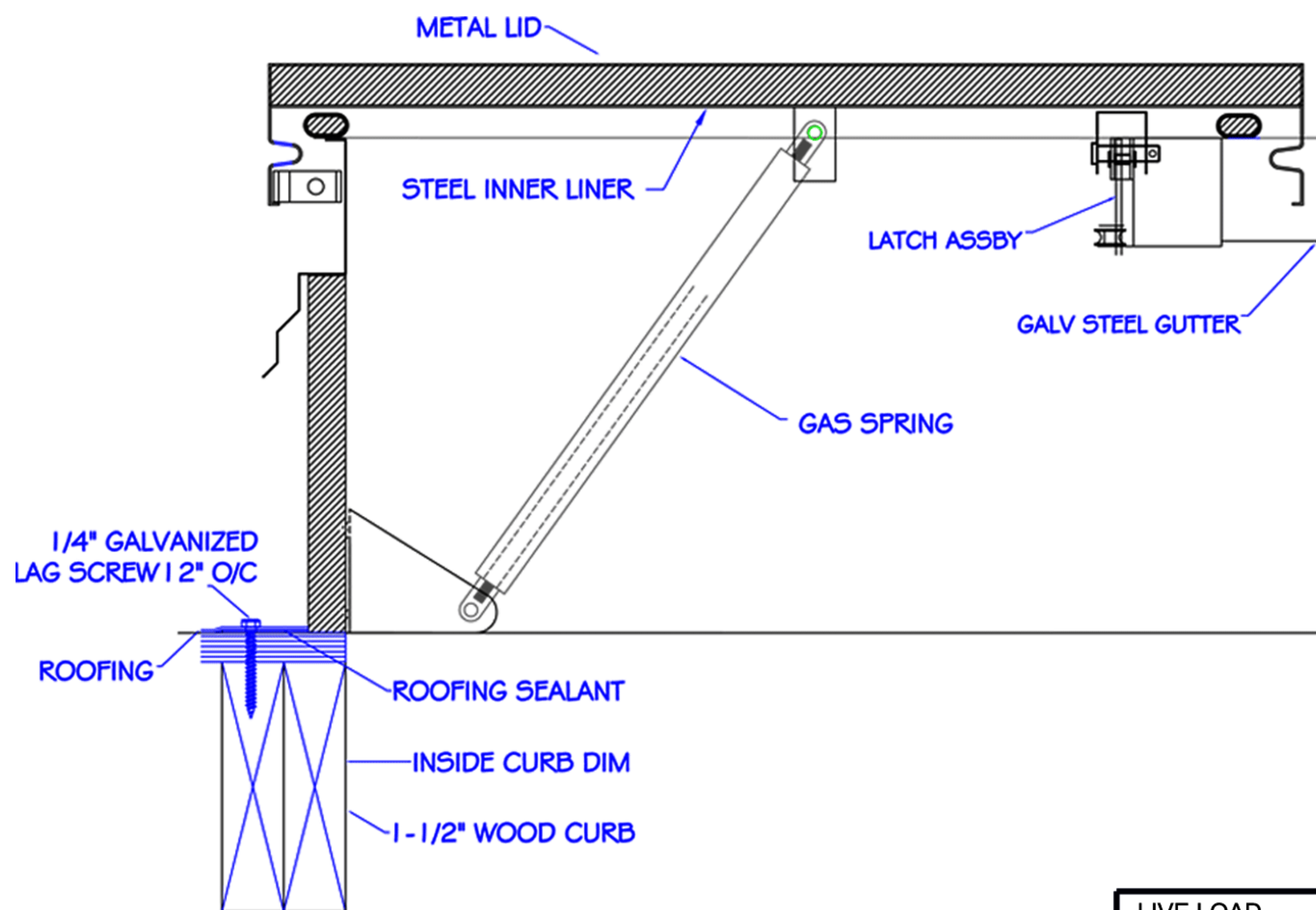
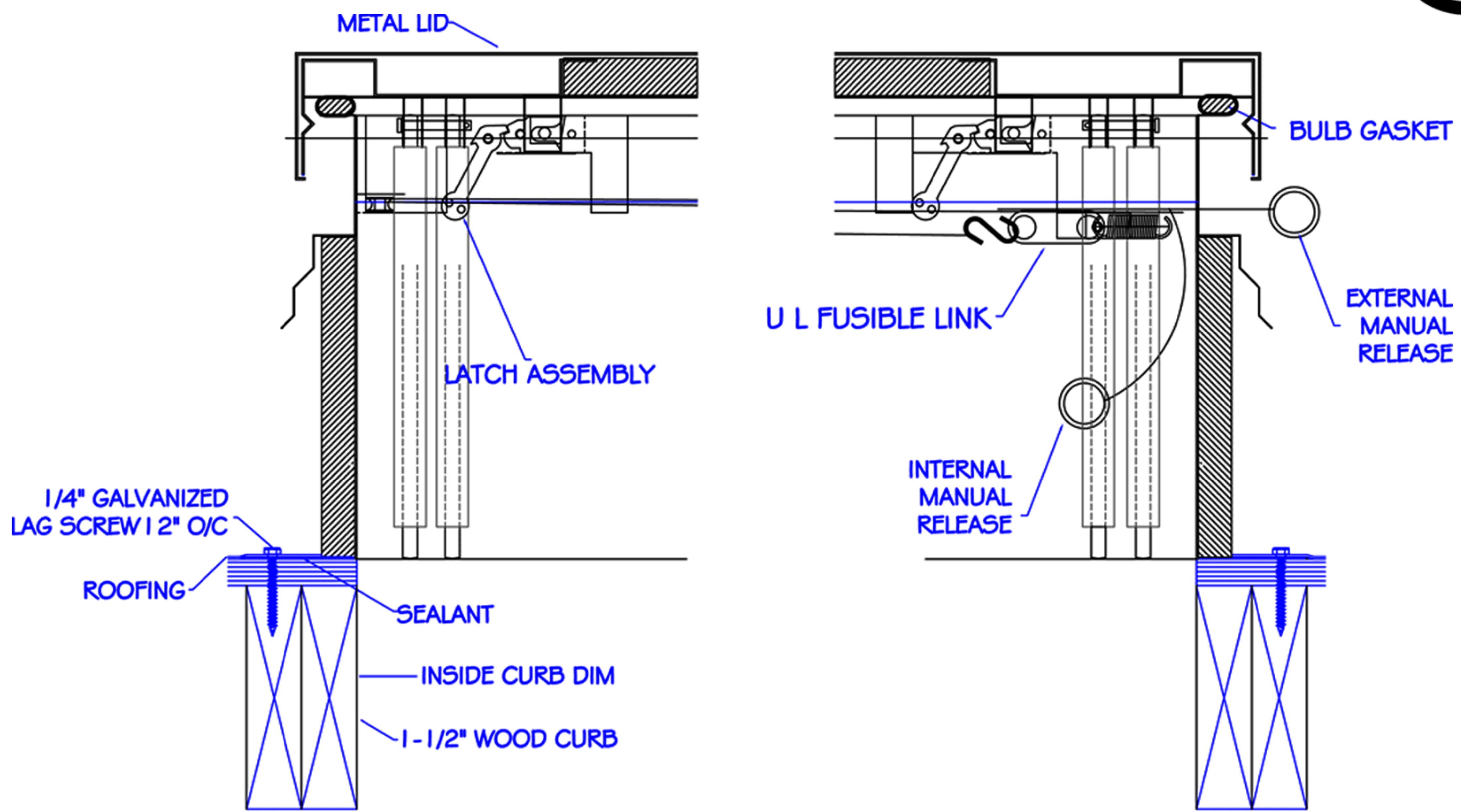
JOB NAME

MODEL

ARCHITECT

DATE

# UL LISTED - SOLID LID - HIGH CAPACITY



| LIVE LOAD CAPACITY (PSF) | MODEL | SIZE      |
|--------------------------|-------|-----------|
| 40                       | 4848  | 48" x 48" |
| 40                       | 4872  | 48" x 72" |
| 40                       | 4890  | 48" x 90" |
| 35                       | 4896  | 48" x 96" |
| 30                       | 6060  | 60" x 60" |
| 30                       | 6072  | 60" x 72" |
| 20                       | 6090  | 60" x 90" |
| 20                       | 6096  | 60" x 96" |



**R&S Manufacturing and Sales**  
 www.RnSsales.com  
 sales@RnSsales.com  
 805-375-3980 Fax 805-375-3981

CUSTOMER

QUANTITY

JOB NAME

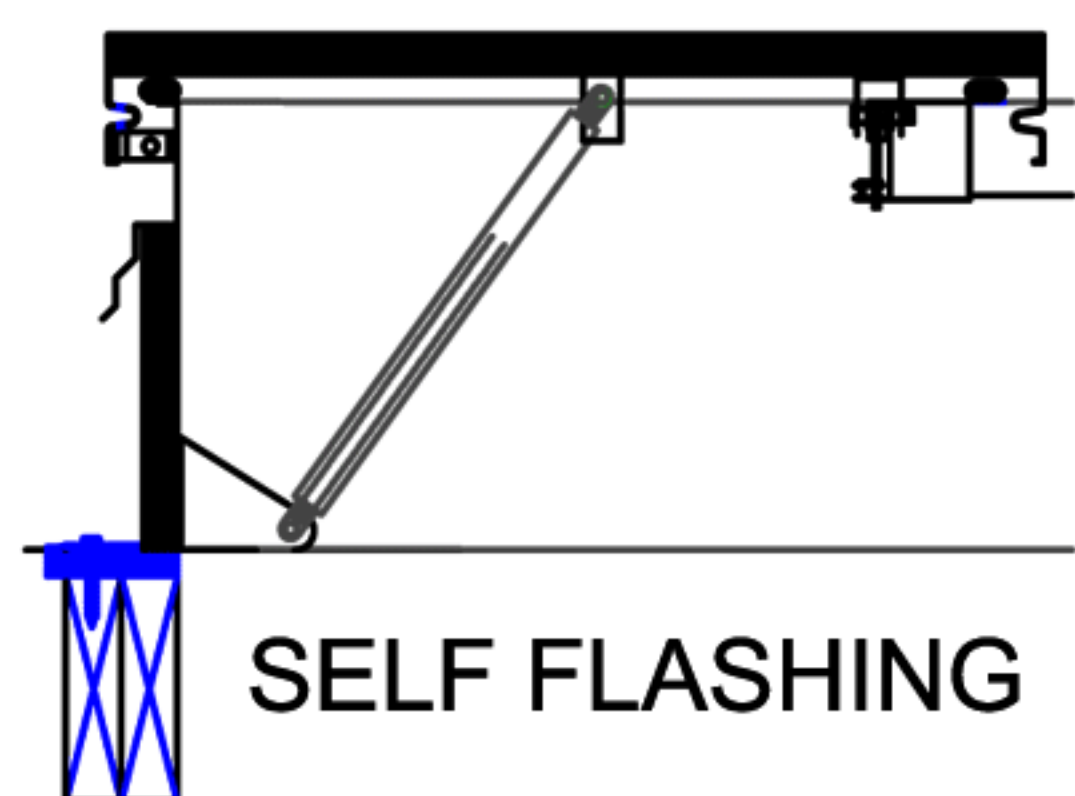
MODEL

ARCHITECT

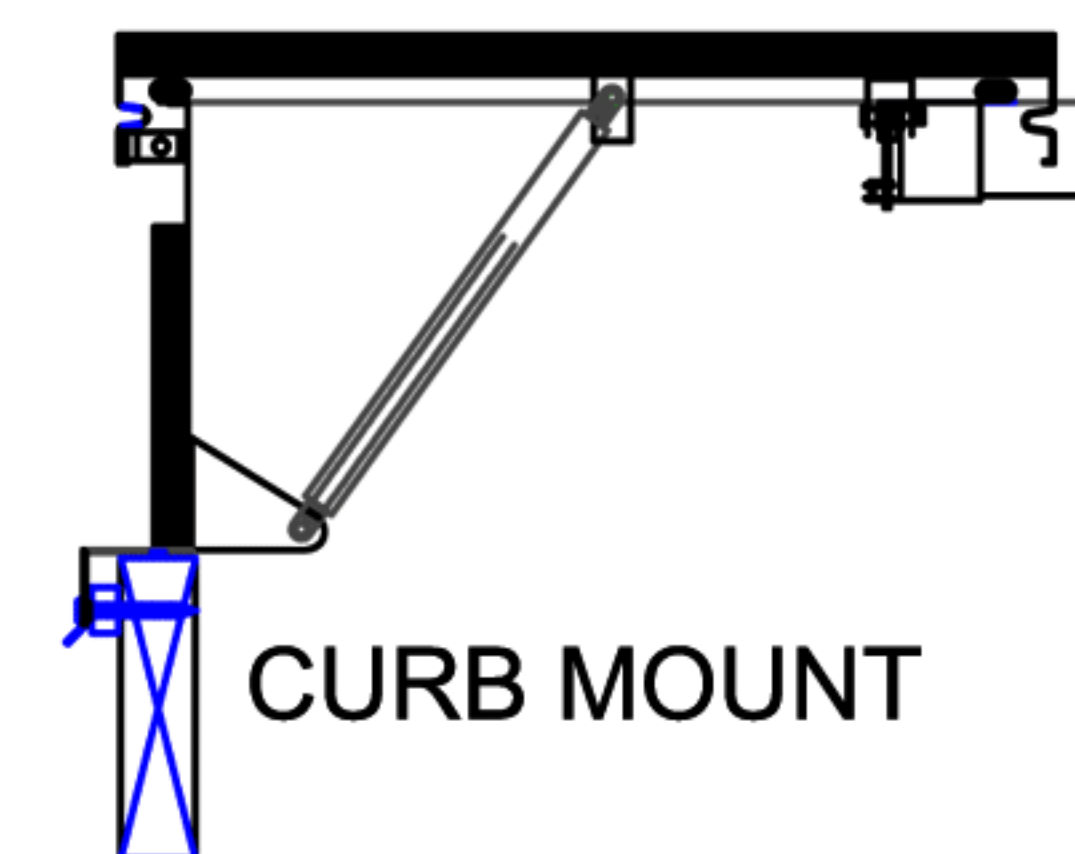
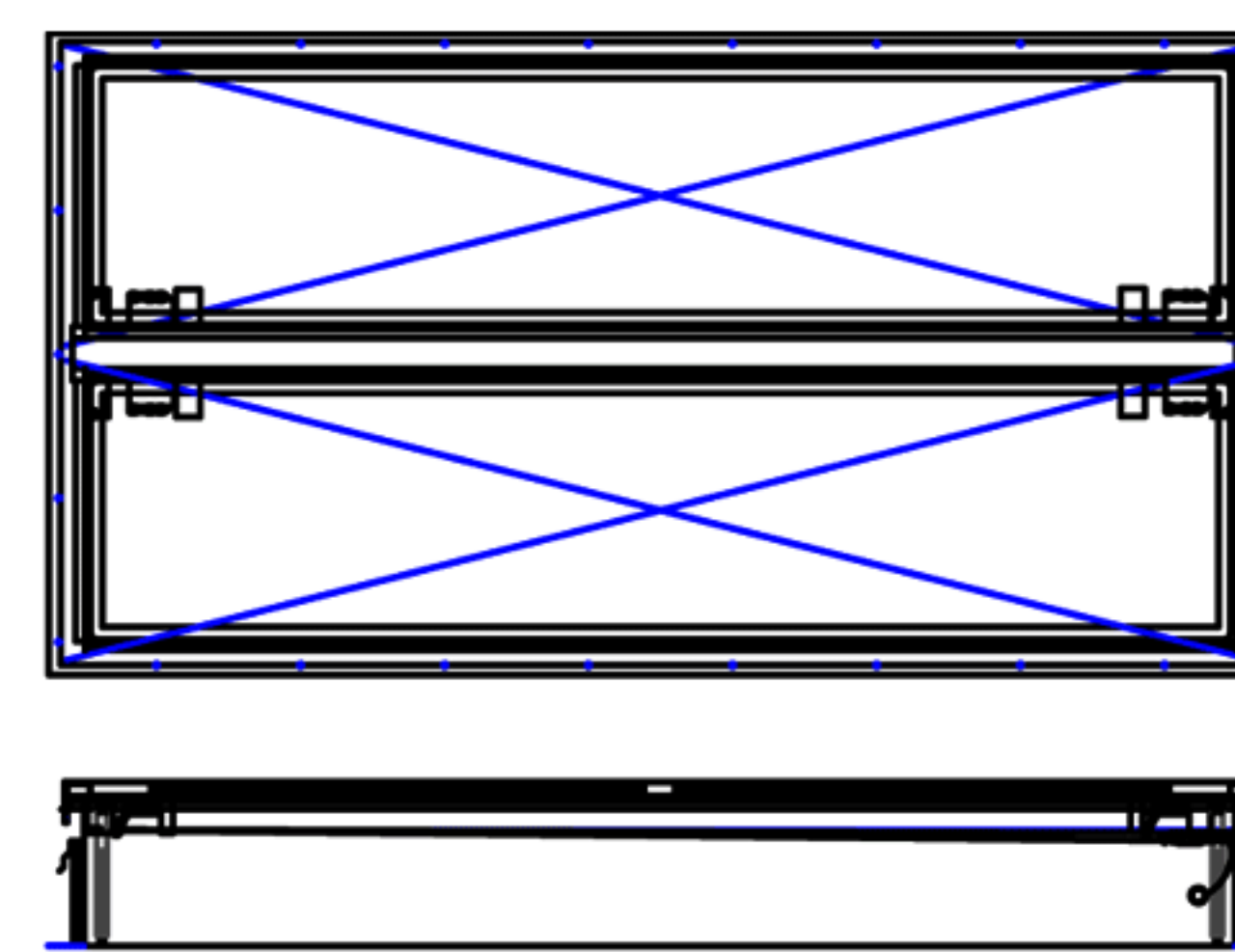
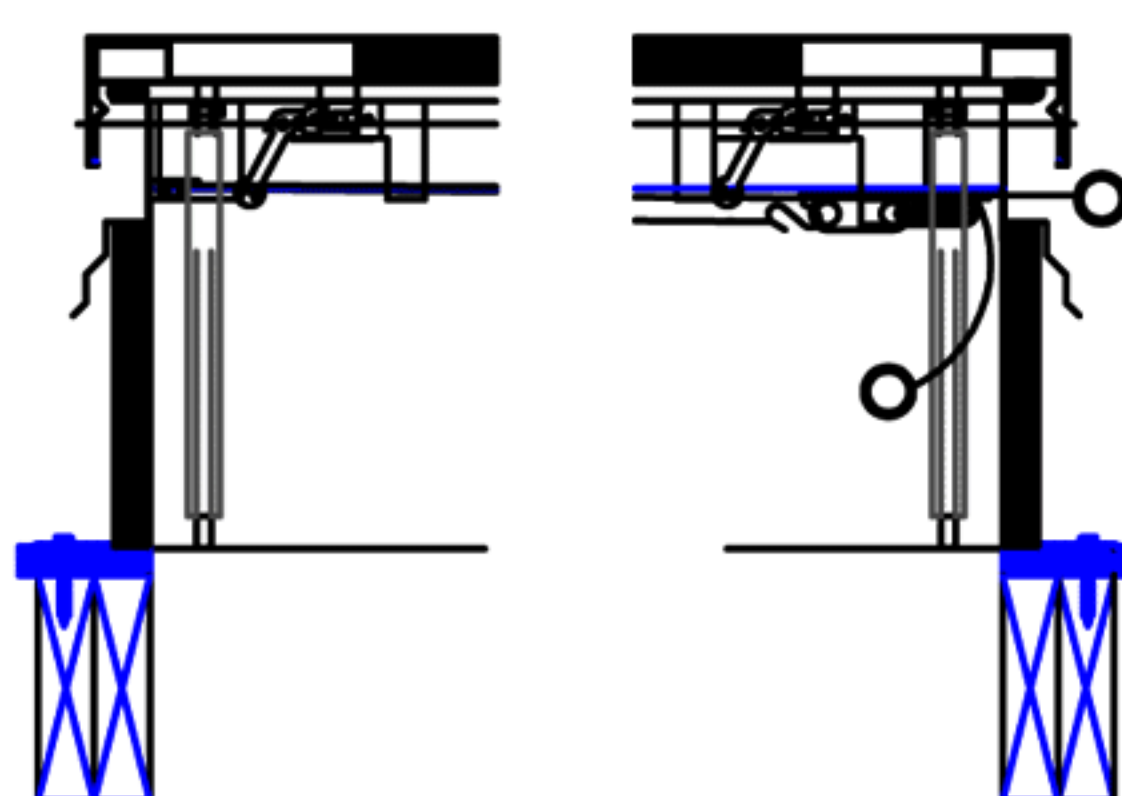
DATE

# UL LISTED - SOLID LID - HIGH CAPACITY

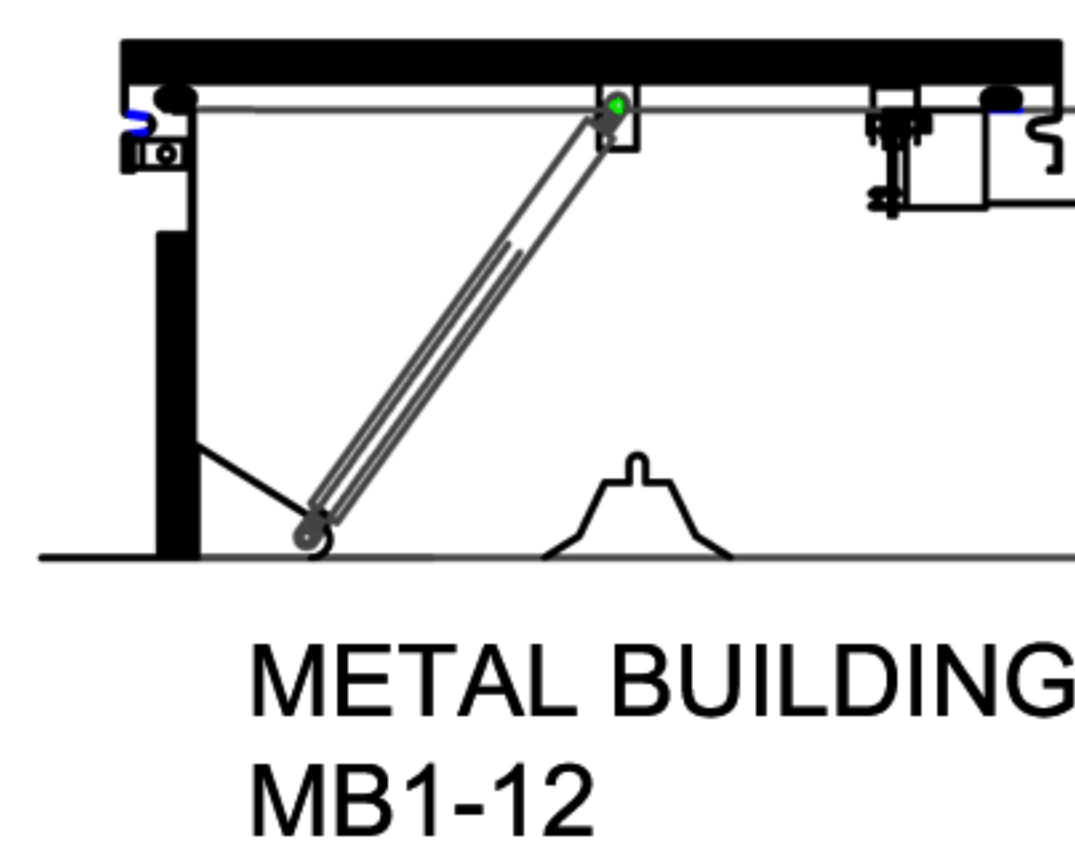
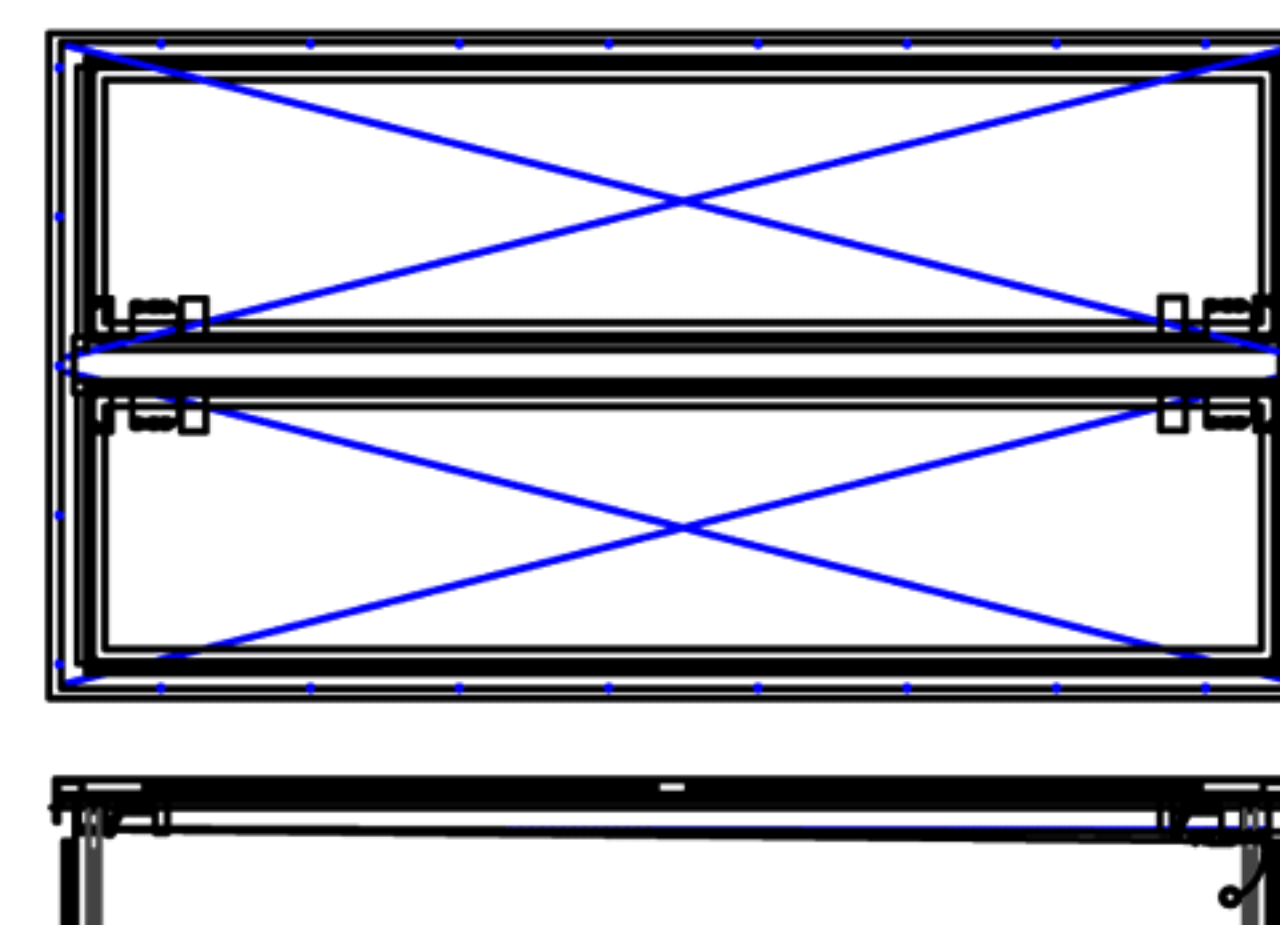
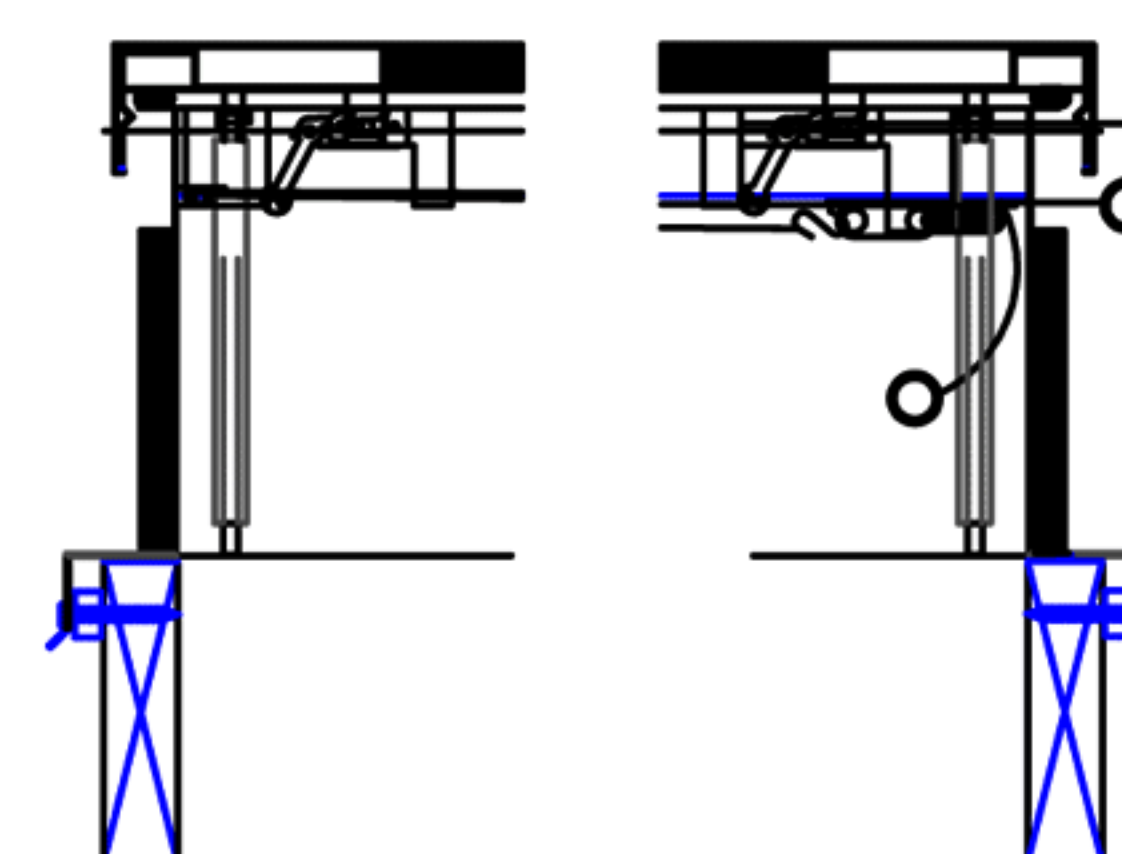
## BASE OPTIONS



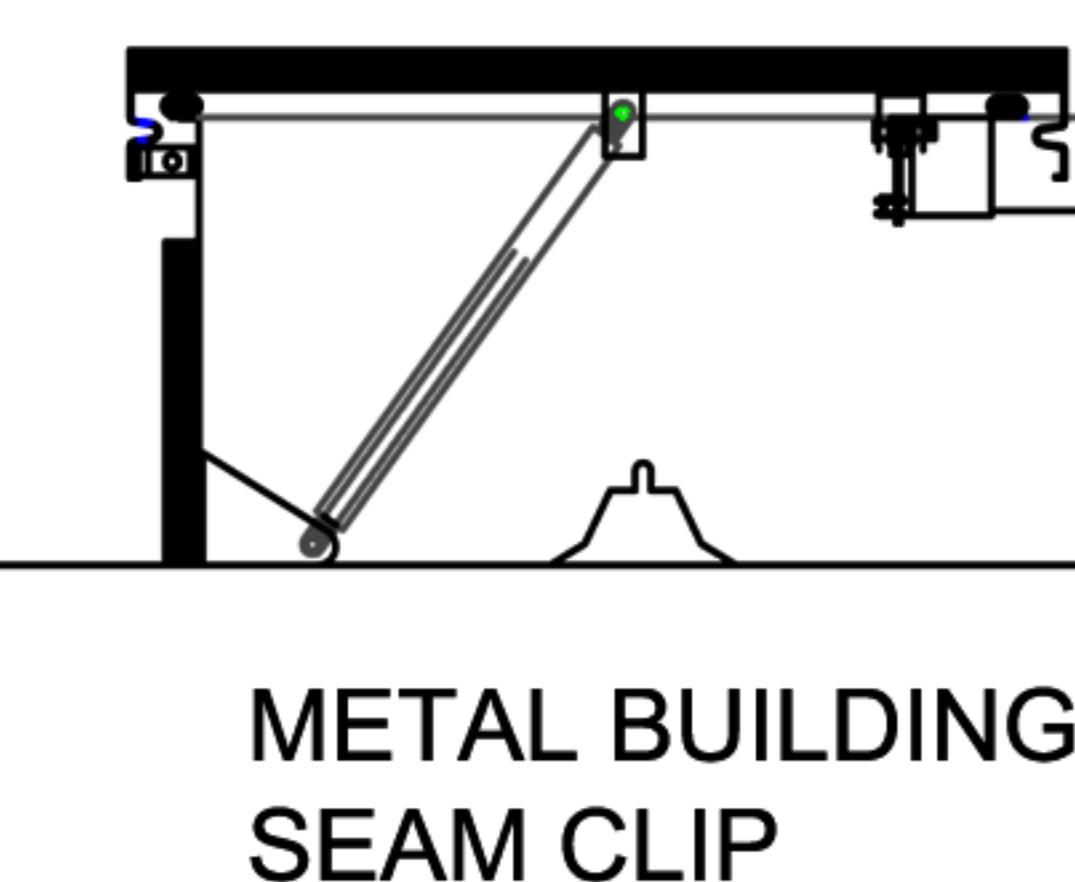
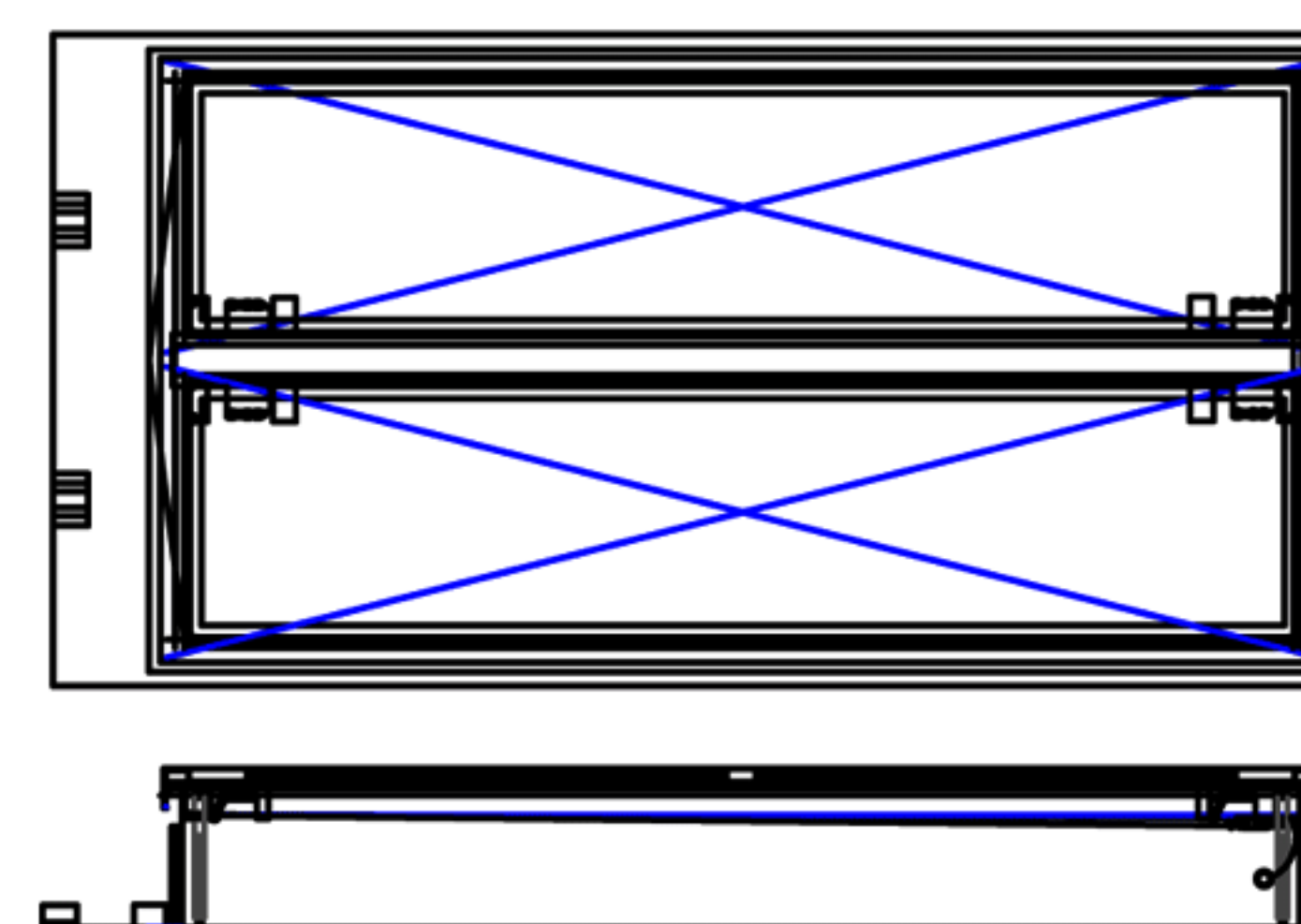
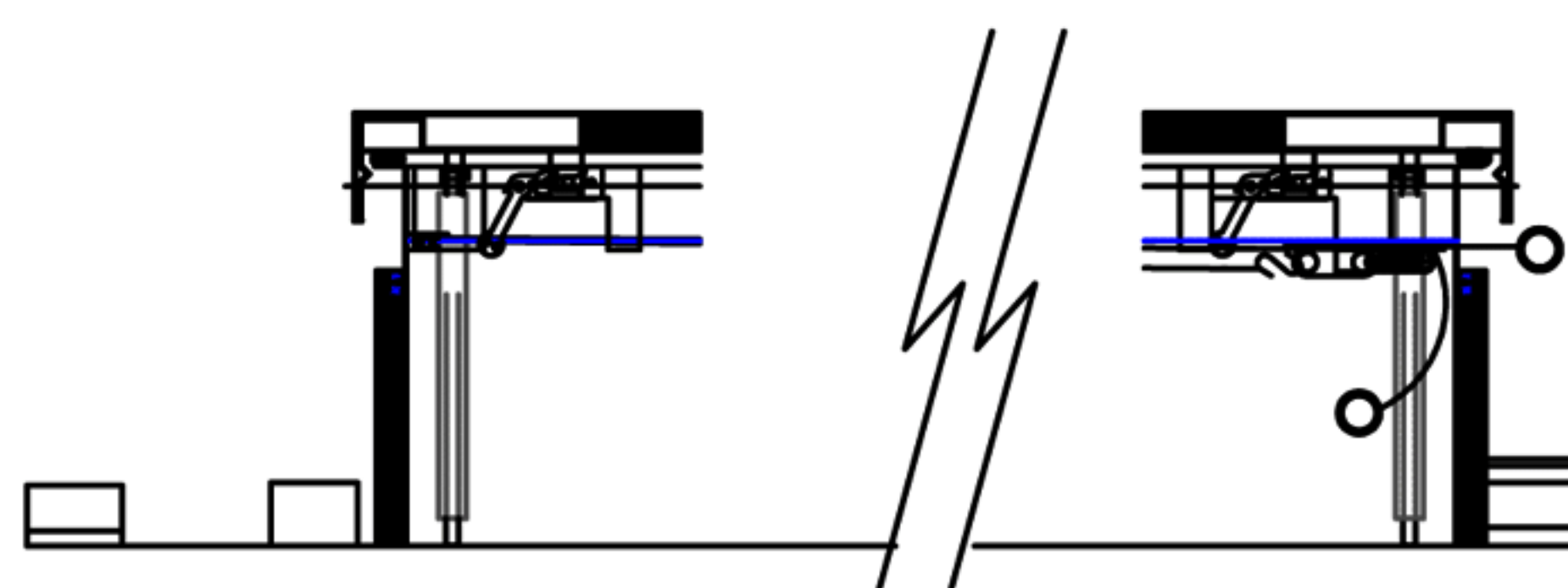
SELF FLASHING



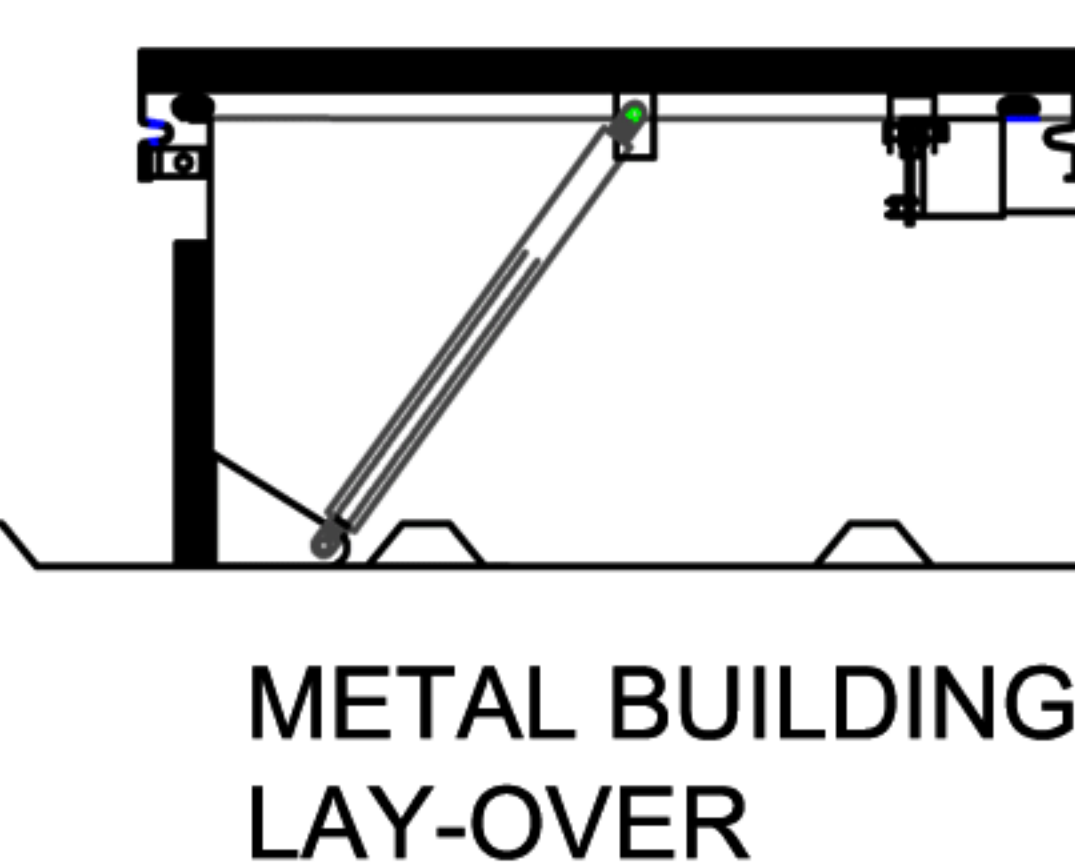
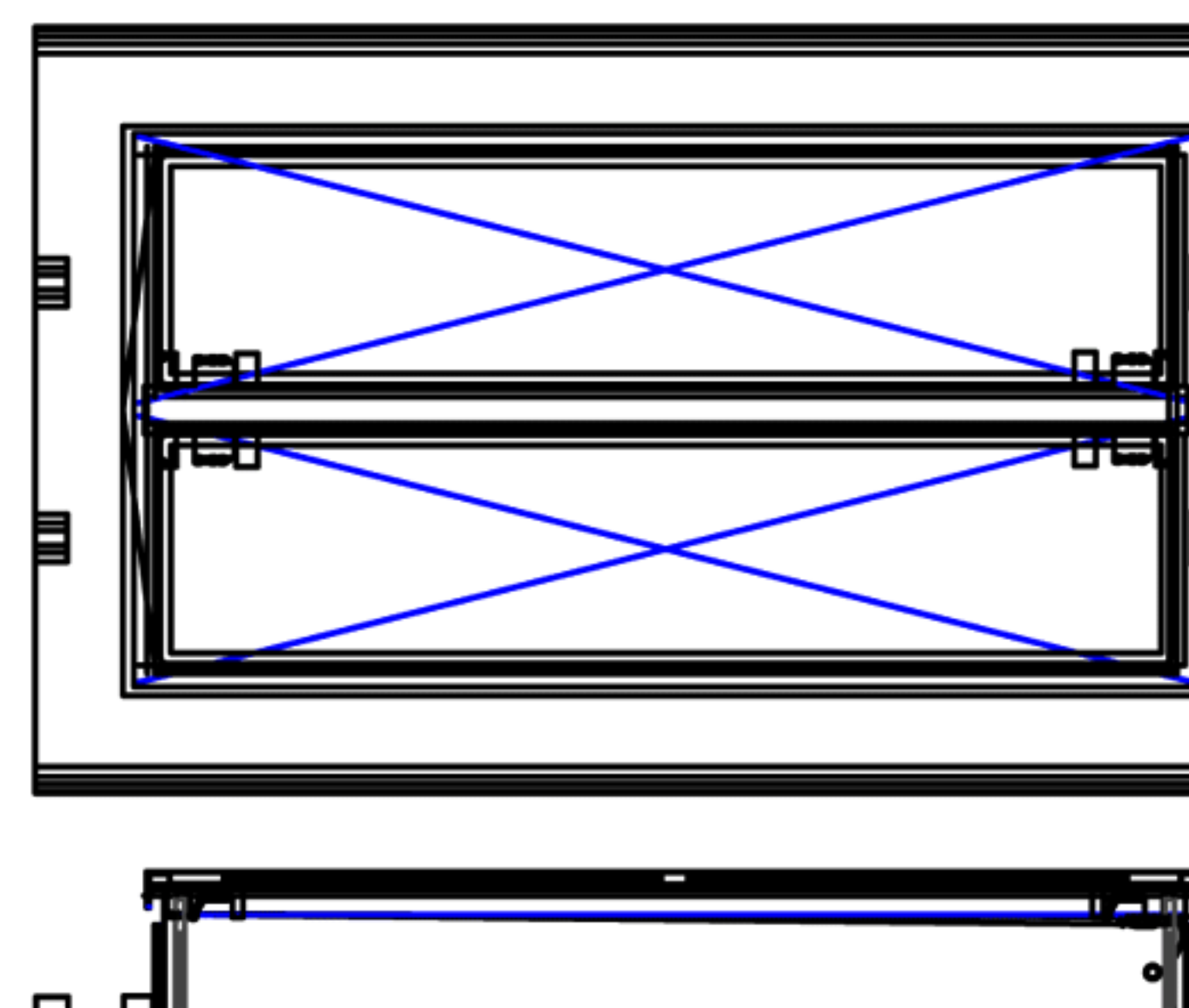
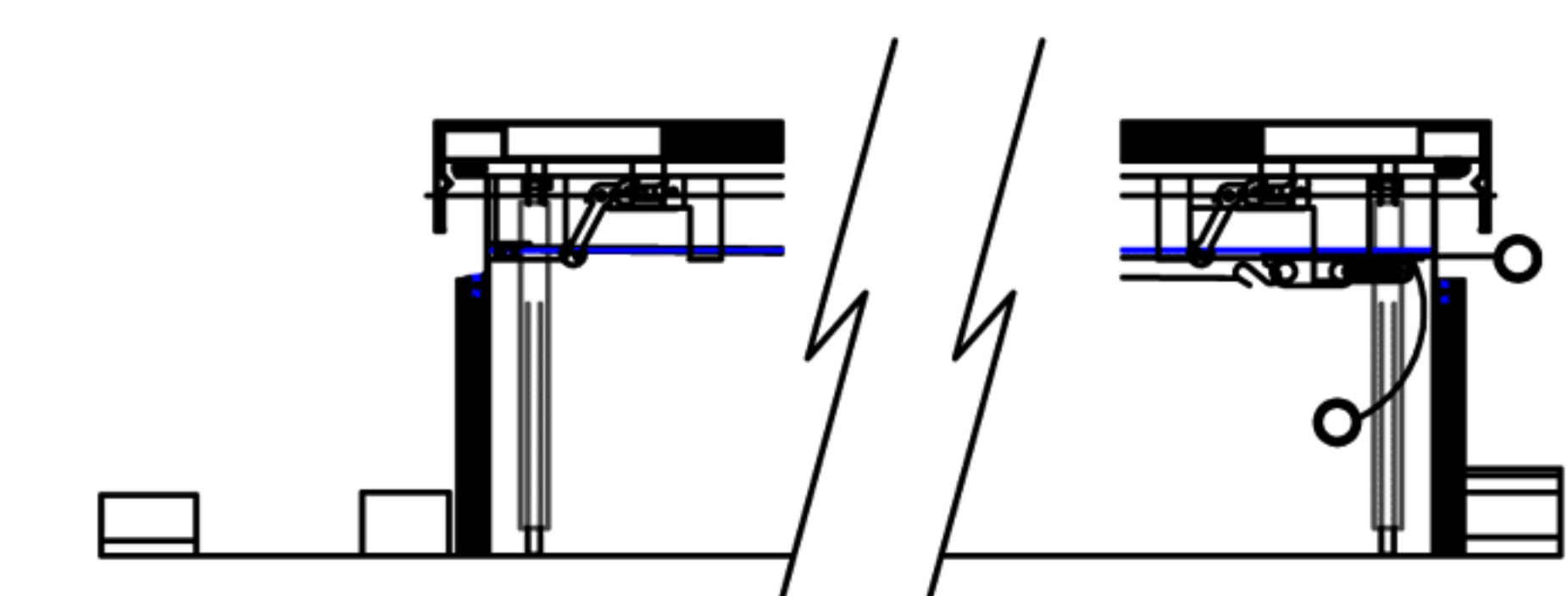
CURB MOUNT



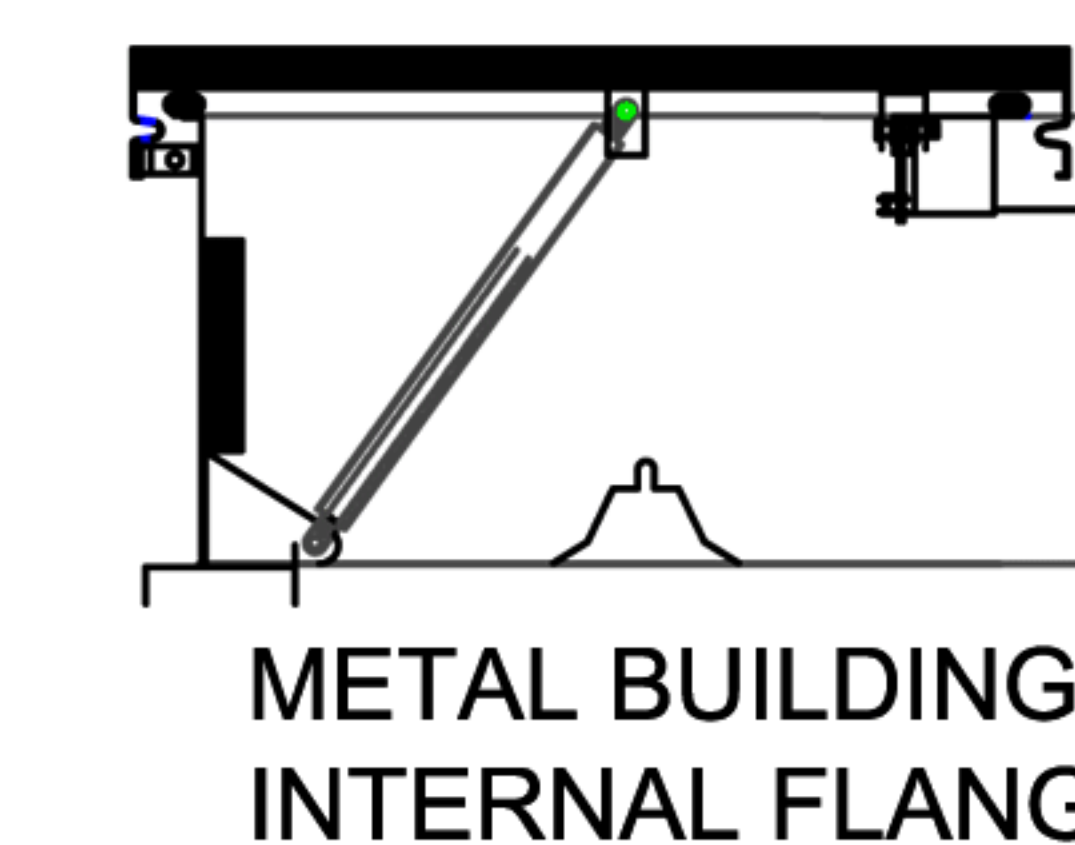
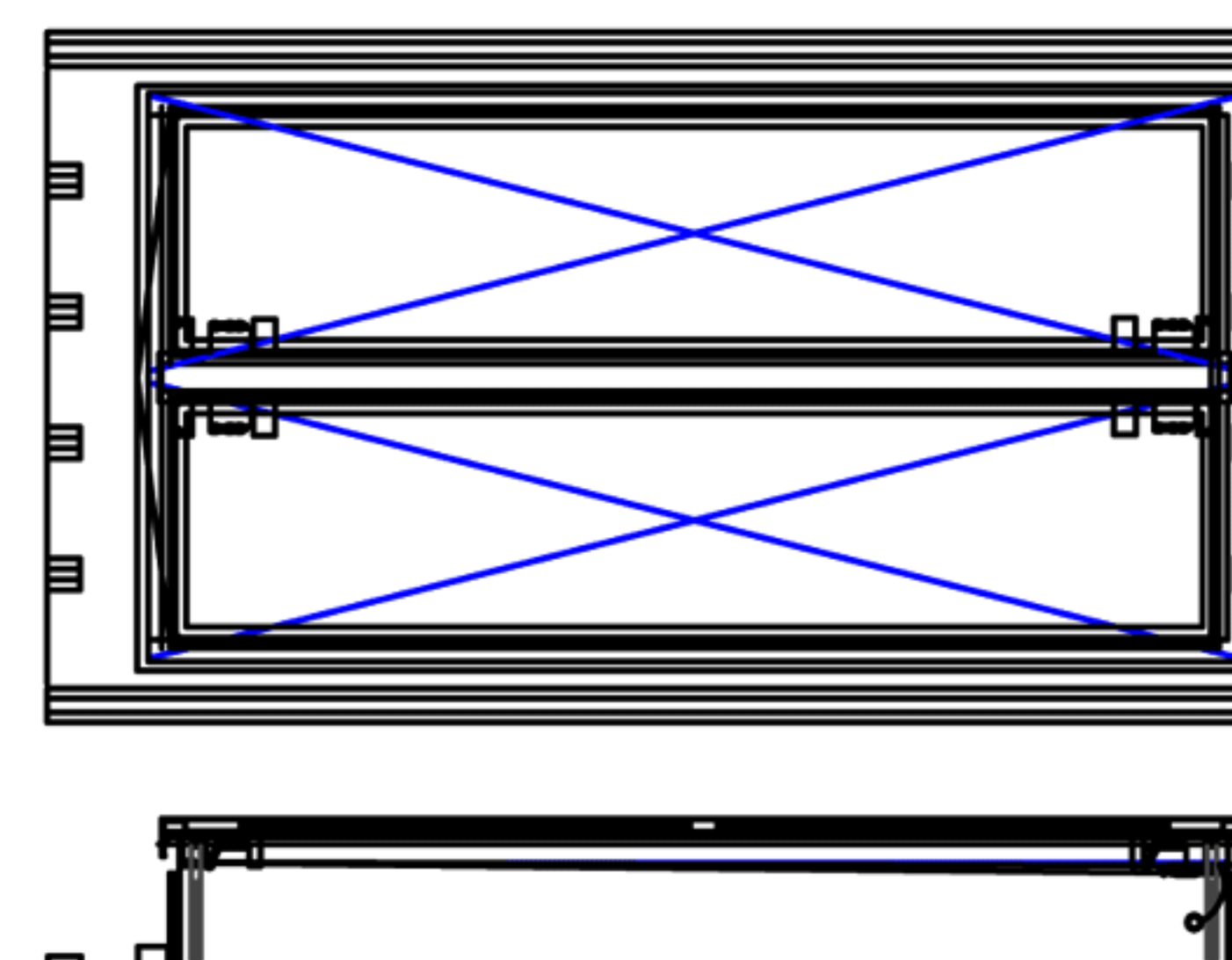
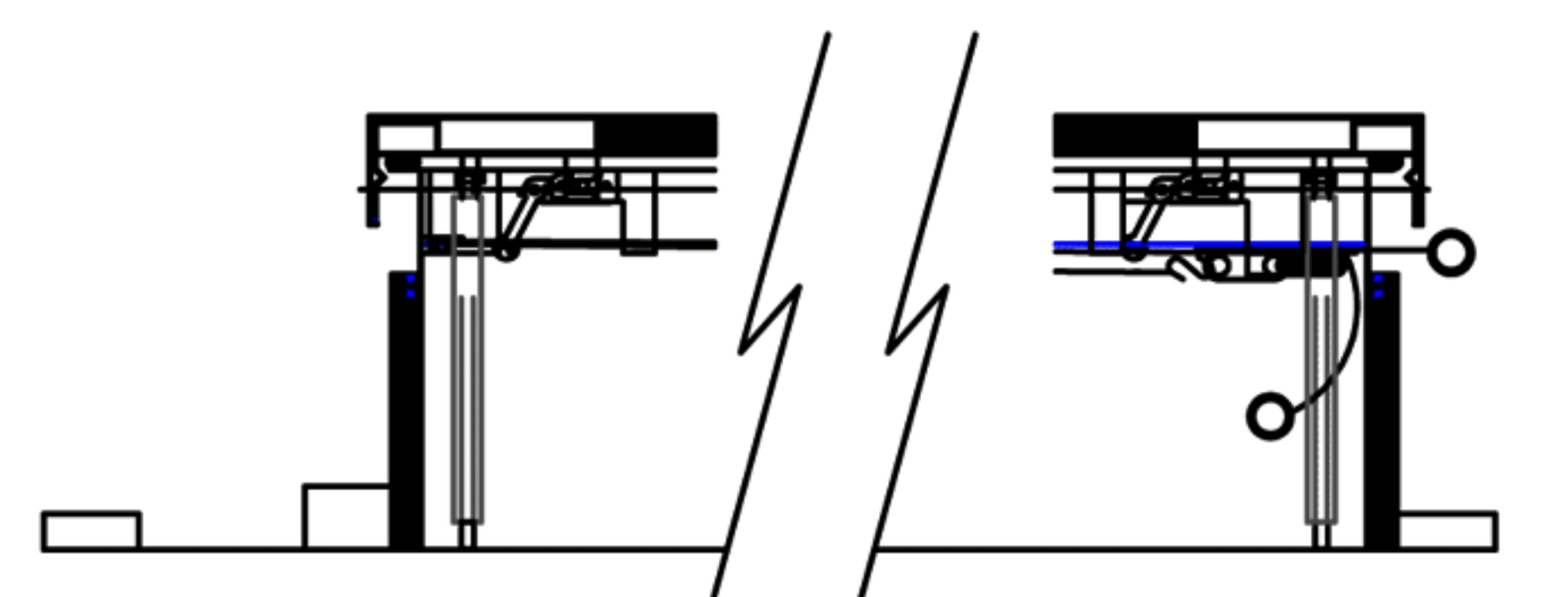
METAL BUILDING  
MB1-12



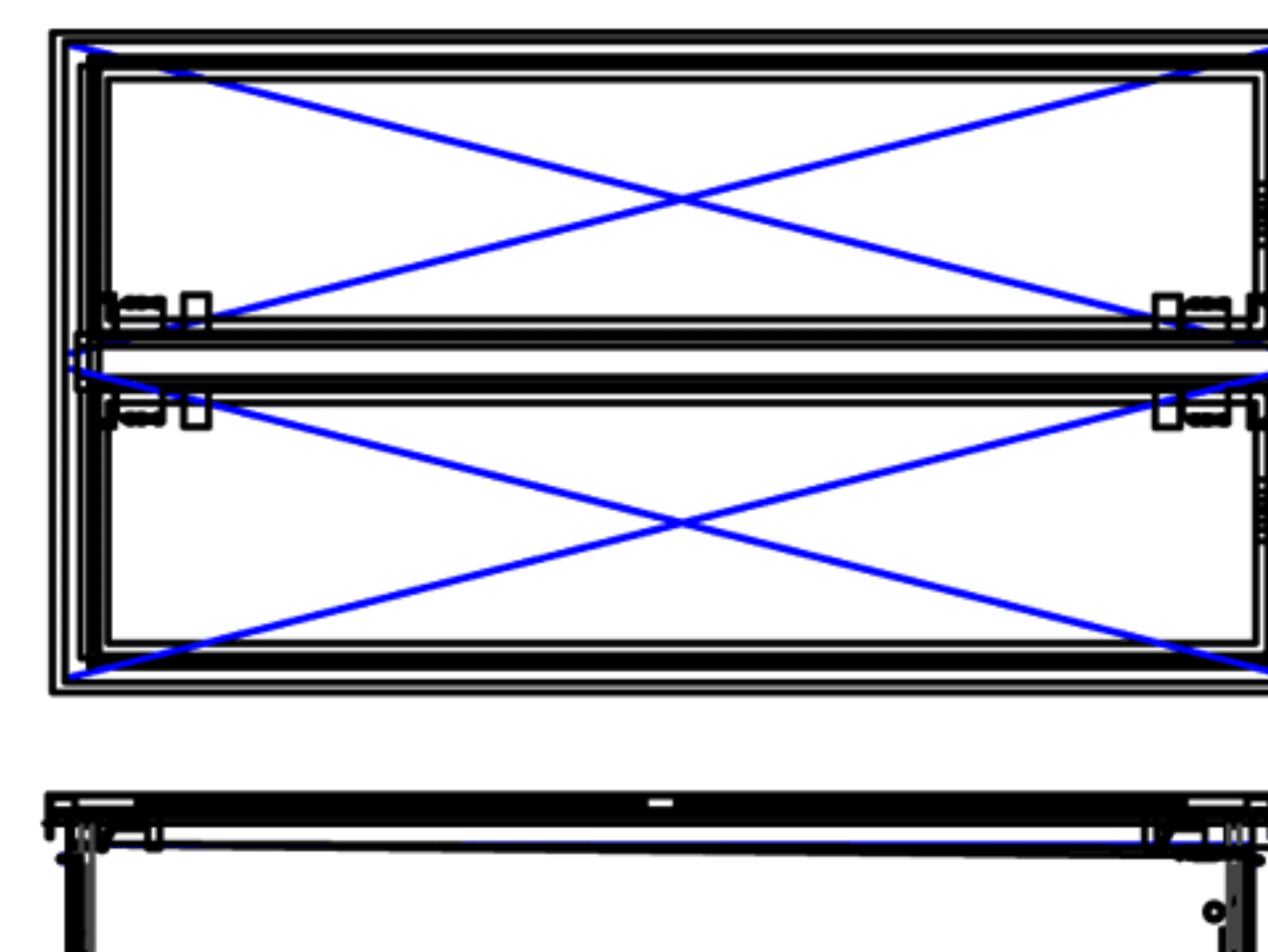
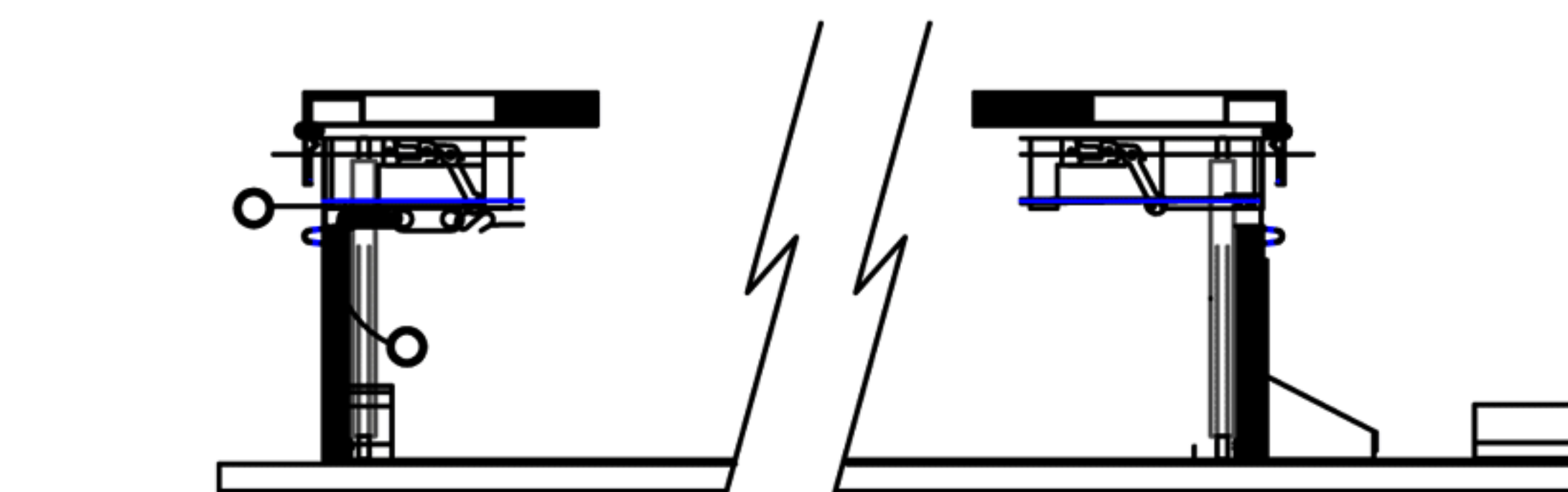
METAL BUILDING  
SEAM CLIP



METAL BUILDING  
LAY-OVER



METAL BUILDING  
INTERNAL FLANGE



**R&S Manufacturing and Sales**  
[www.RnSales.com](http://www.RnSales.com)  
[sales@RnSales.com](mailto:sales@RnSales.com)  
 805-375-3980 Fax 805-375-3981

|           |          |
|-----------|----------|
| CUSTOMER  | QUANTITY |
| JOB NAME  | MODEL    |
| ARCHITECT | DATE     |