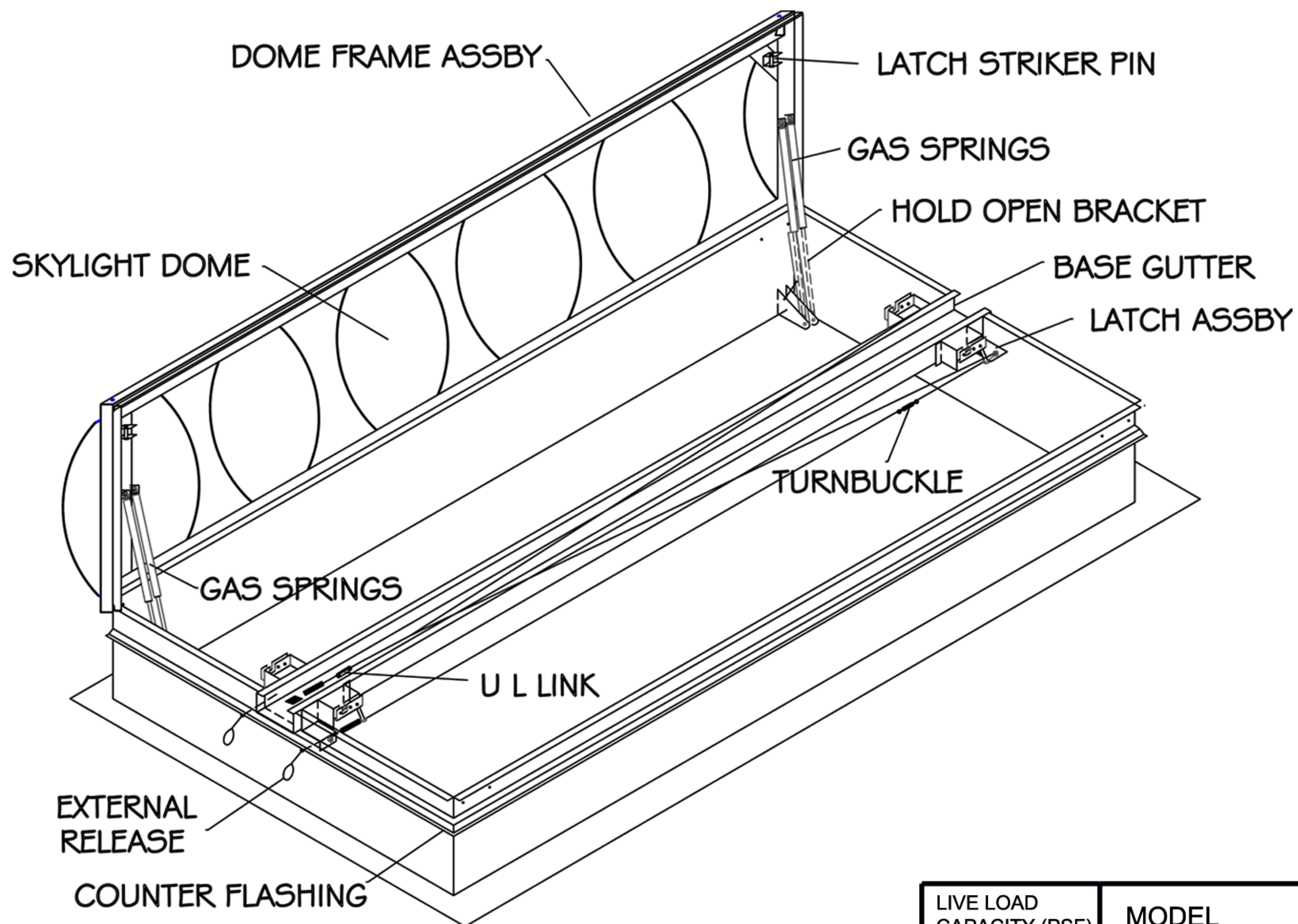
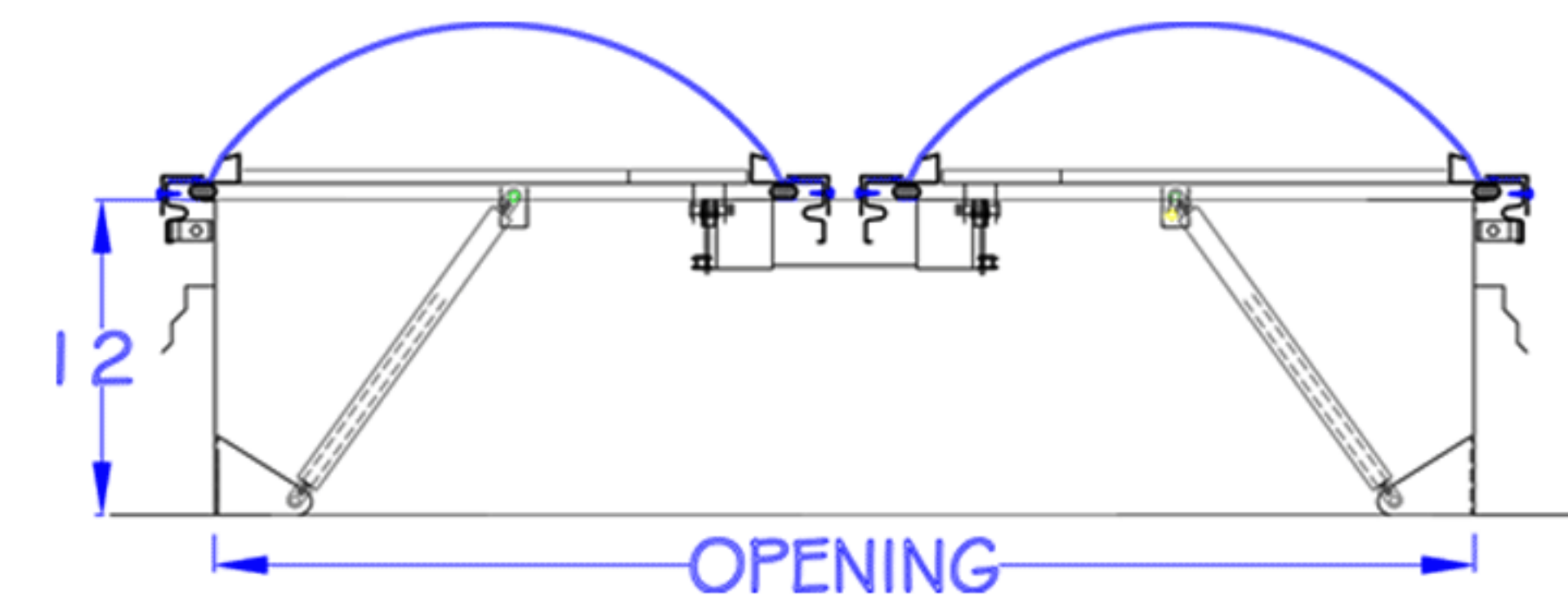
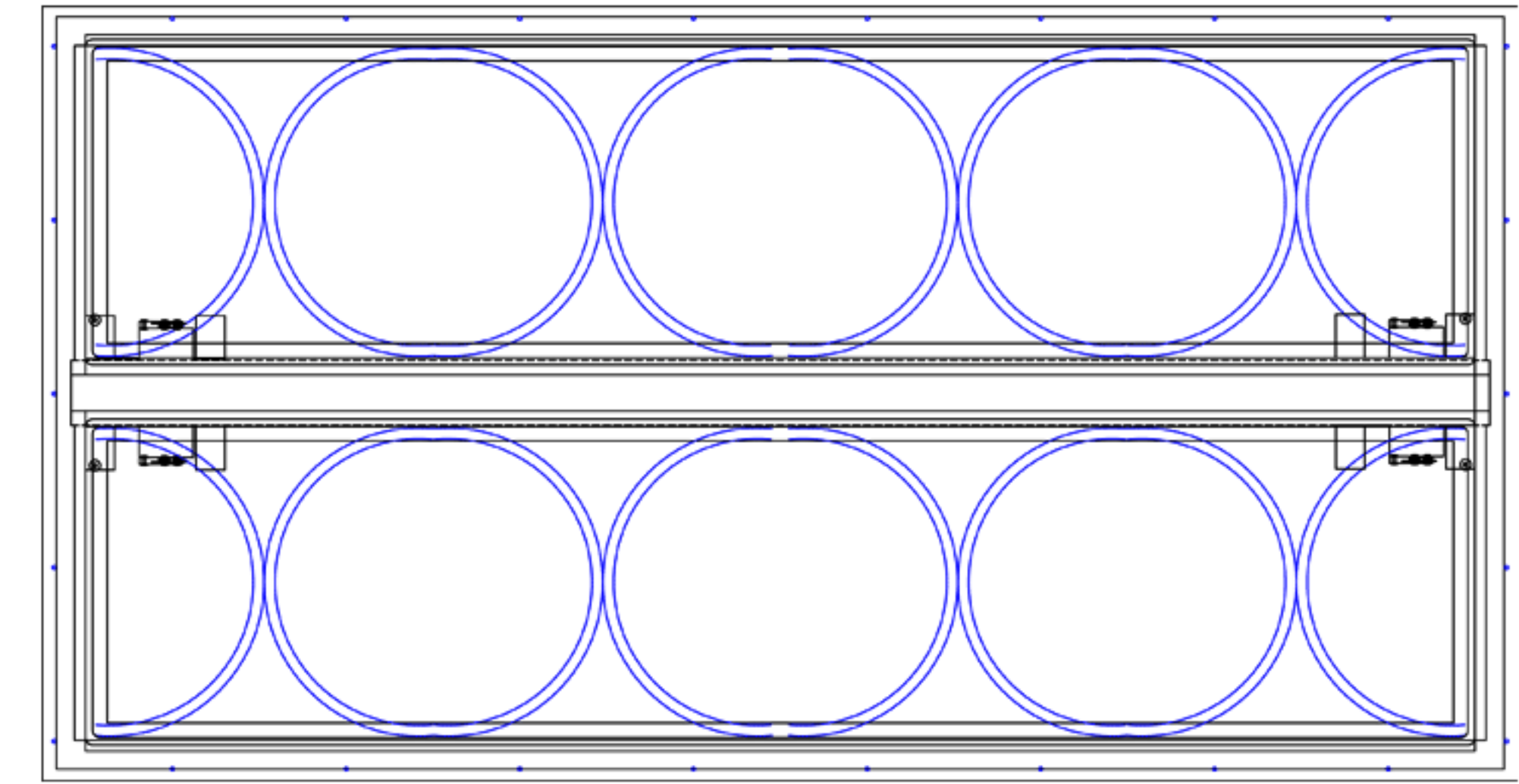


UL LISTED - SINGLE DOME - HIGH CAPACITY

SPECIFICATIONS

- Fully Welded & Assembled Curb 18 GA G90 Steel or 0.063" Aluminum
- Base options include self flashing, curb mount and metal building
- White 0.118" Copolyester outer domes
- 42% Visible Light Transmittance with 100% Haze Factor
- 0.52 Solar Heat Gain Coefficient
- 0.105 U Factor
- Dome Frames with sealants and condensate provisions
- Full perimeter EPDM bulb gaskets
- Lids open against a 20 to 40 PSF live load
- Lid uplift rating 30 PSF
- Hinges and latches 12 GA galvanized steel
- Latches rated for 90 PSF uplift
- UL listed fusible or McCabe resettable links
- Inside and outside manual releases
- High performance gas springs with hold open
- 4" x 4" x 3/16" Galvanized Steel OSHA Compliant Safety Screen Option



LIVE LOAD CAPACITY (PSF)	MODEL	SIZE
40	4848	48" x 48"
35	4896	48" x 96"
30	6060	60" x 60"
30	6072	60" x 72"
20	6096	60" x 96"



R&S Manufacturing and Sales
 www.RnSsales.com
 sales@RnSsales.com
 805-375-3980 Fax 805-375-3981

CUSTOMER

QUANTITY

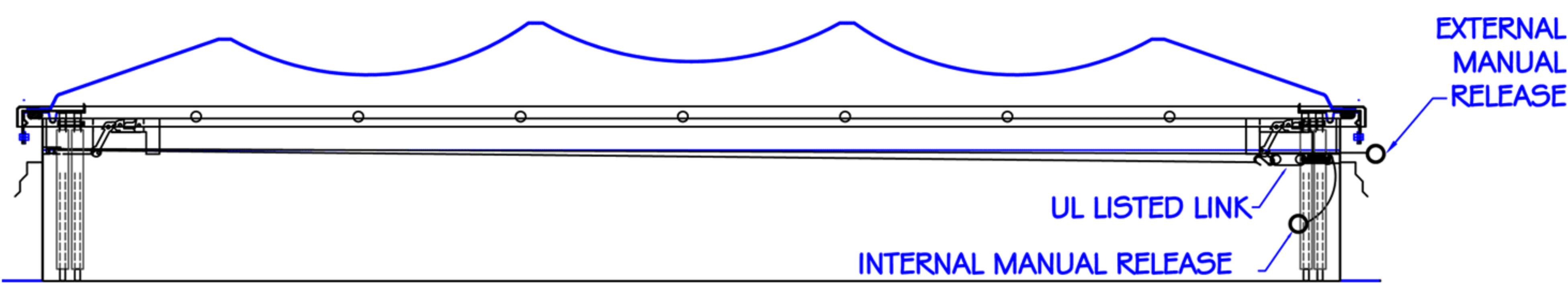
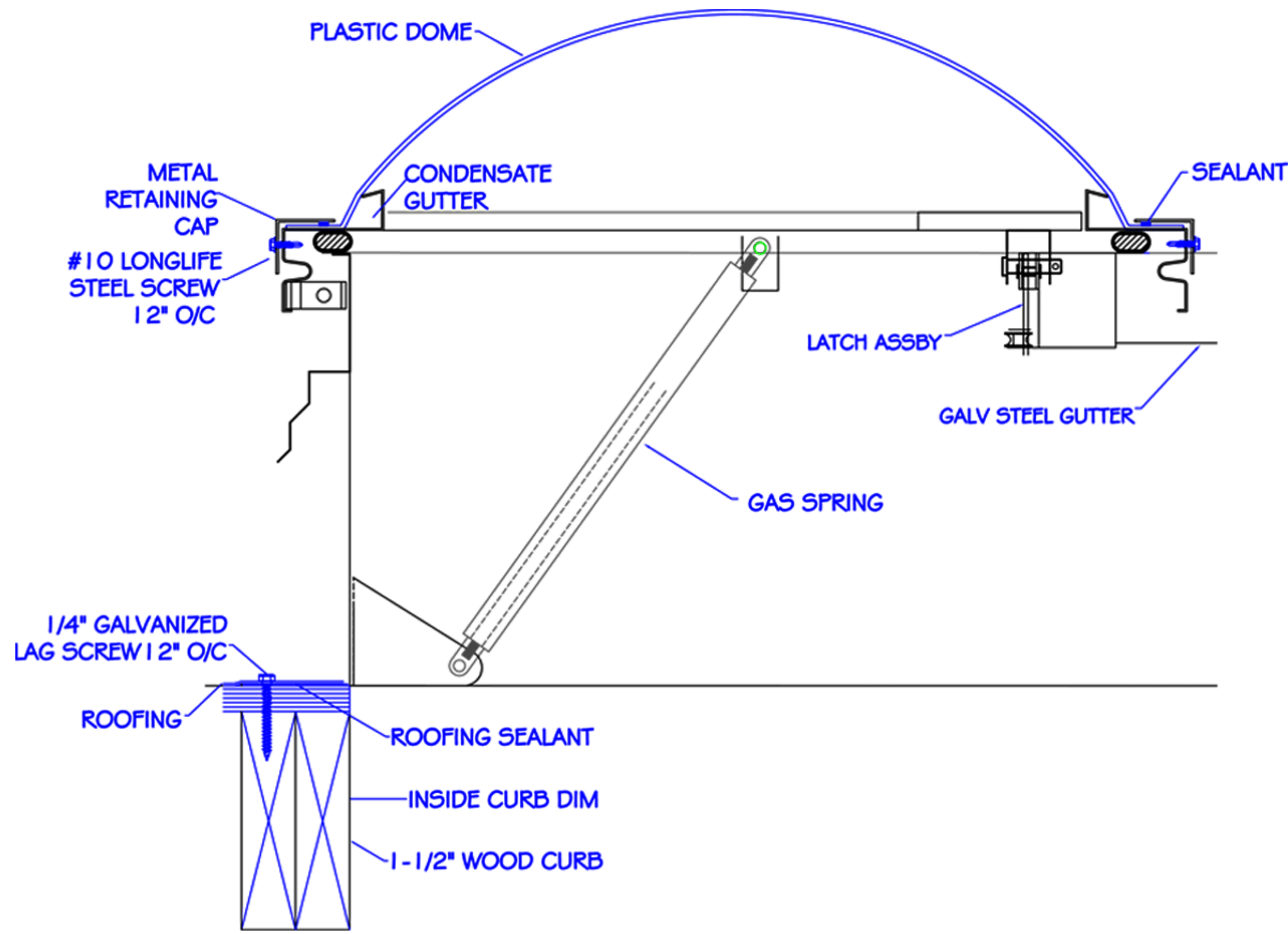
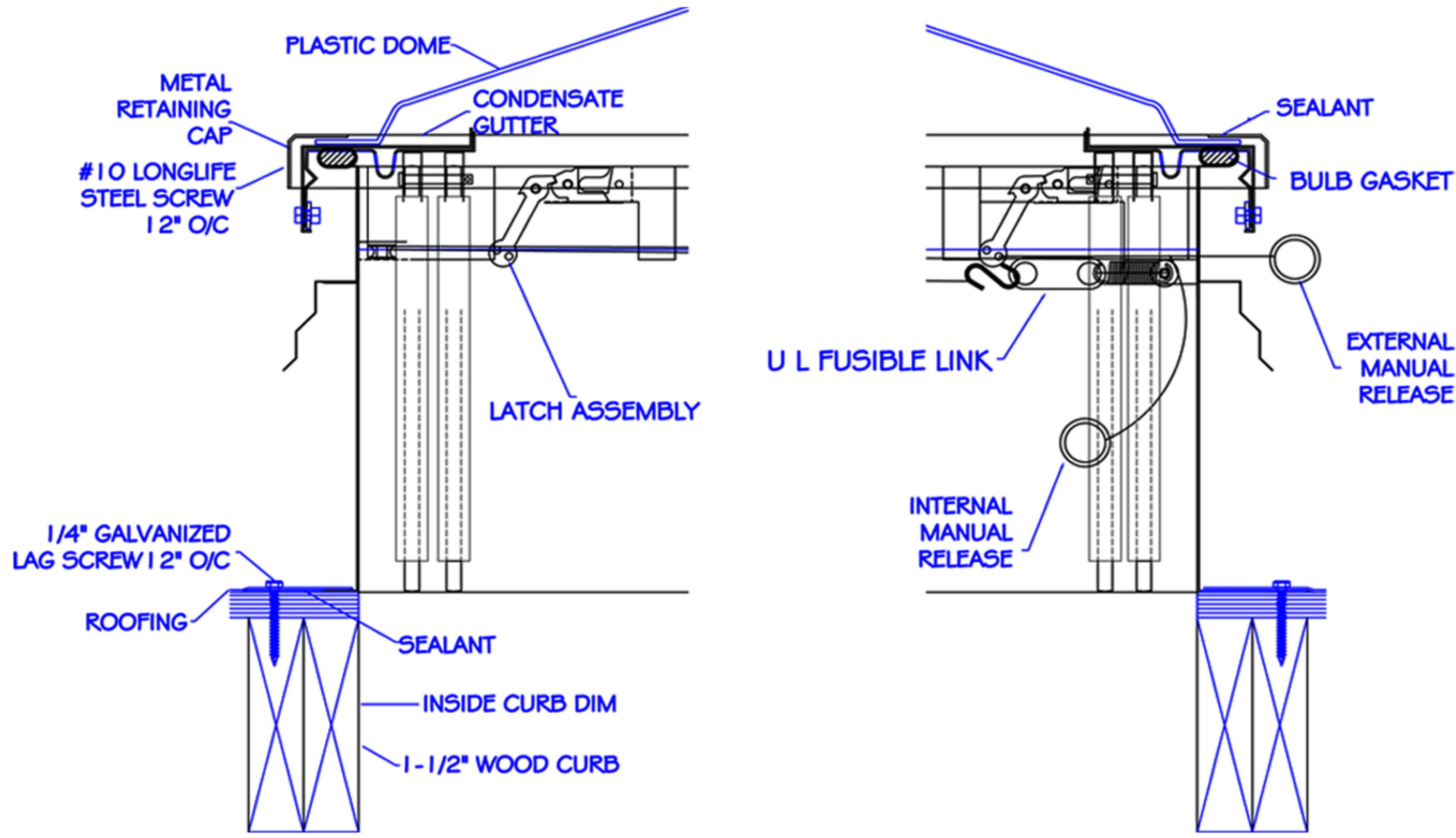
JOB NAME

MODEL

ARCHITECT

DATE

UL LISTED - SINGLE DOME - HIGH CAPACITY



LIVE LOAD CAPACITY (PSF)	MODEL	SIZE
40	4848	48" x 48"
35	4896	48" x 96"
30	6060	60" x 60"
30	6072	60" x 72"
20	6096	60" x 96"



R&S Manufacturing and Sales
 www.RnSsales.com
 sales@RnSsales.com
 805-375-3980 Fax 805-375-3981

CUSTOMER

QUANTITY

JOB NAME

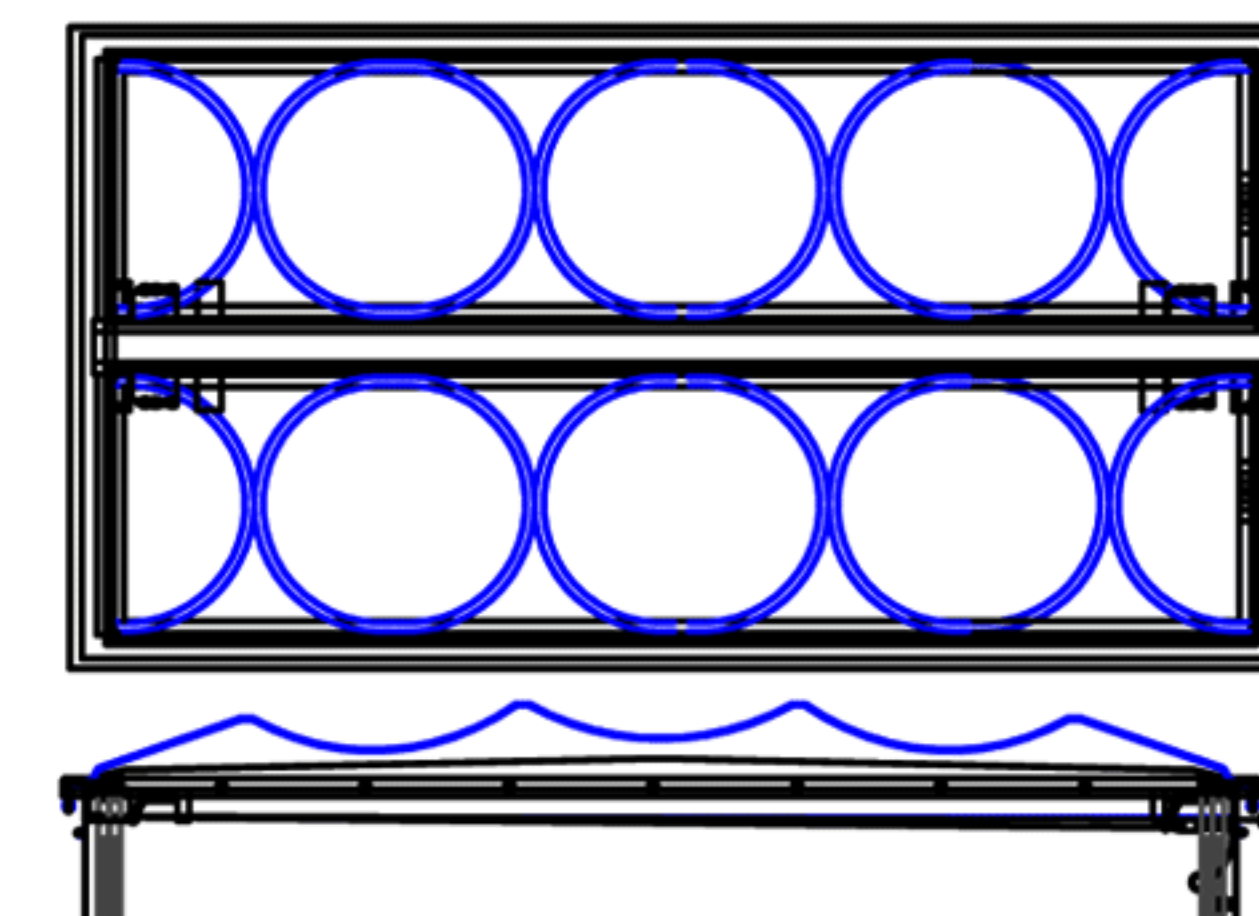
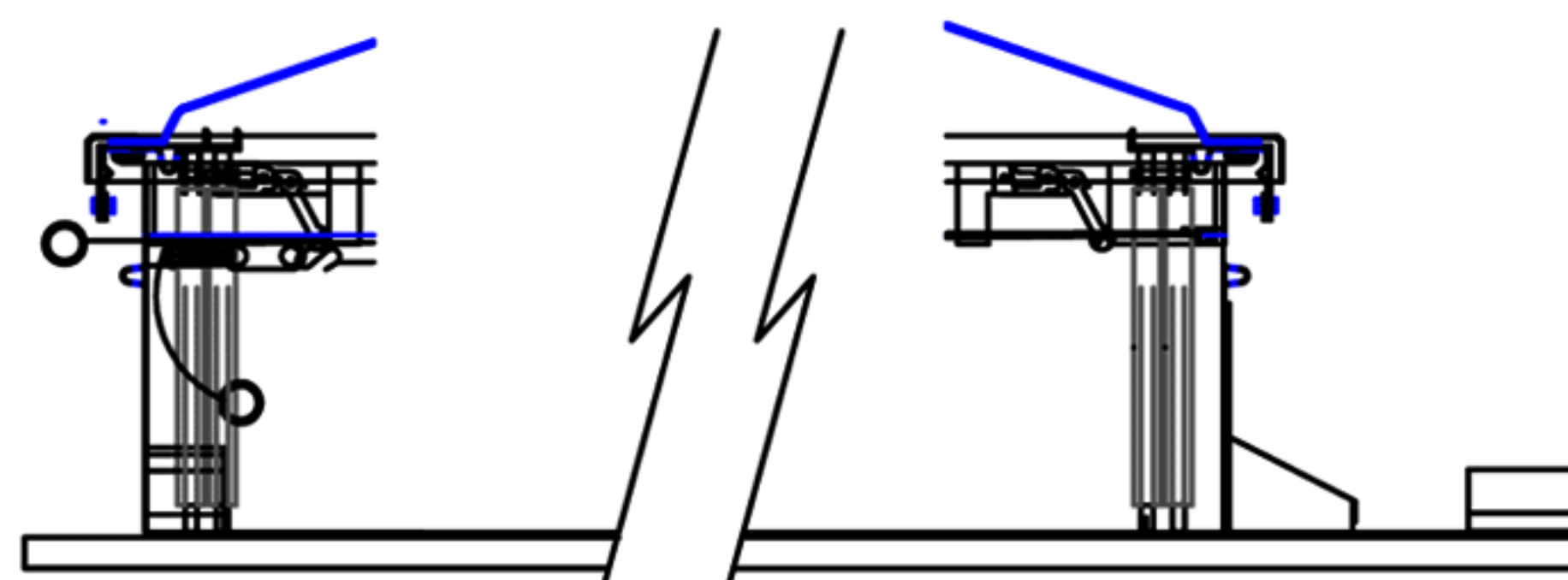
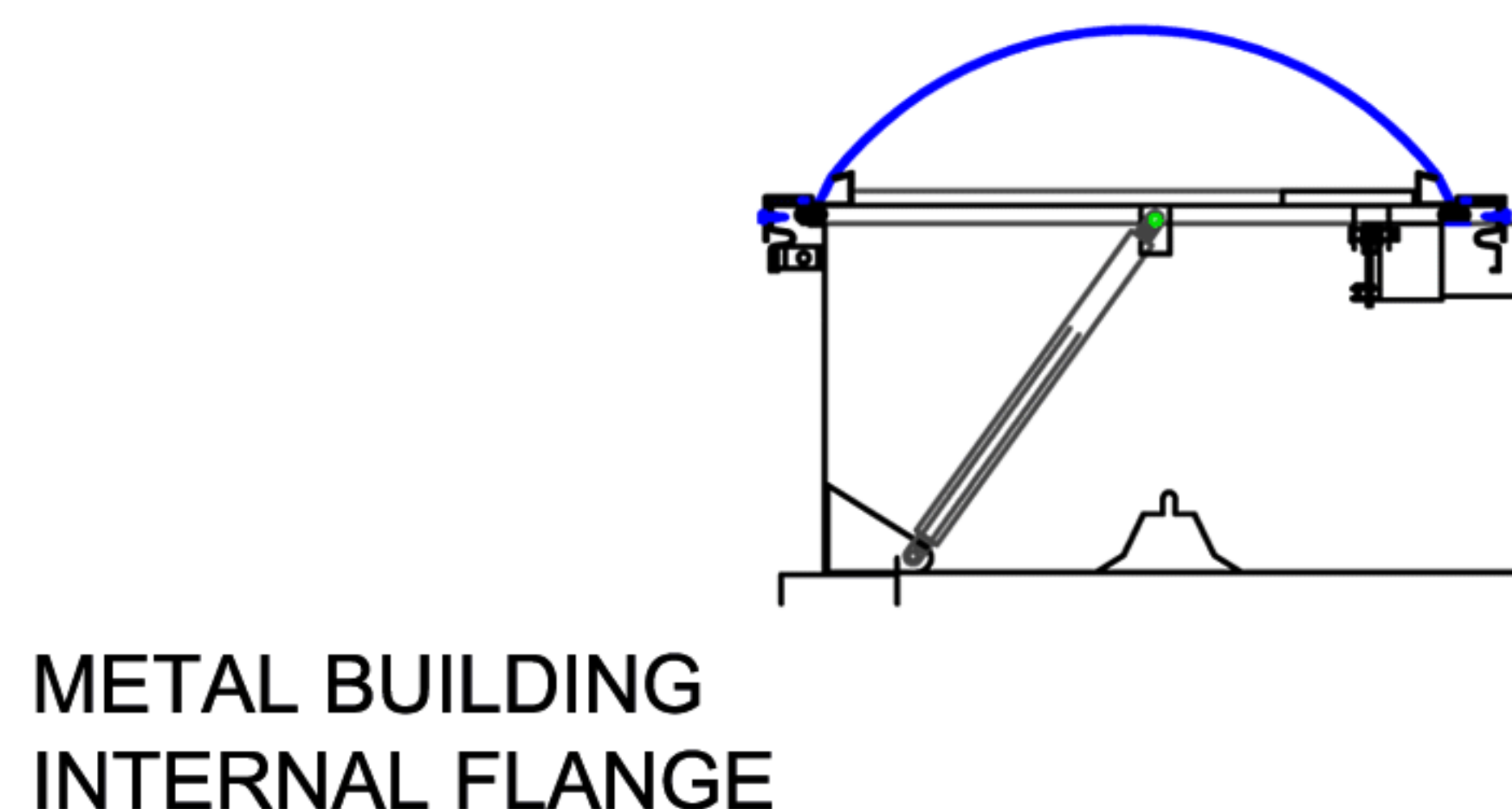
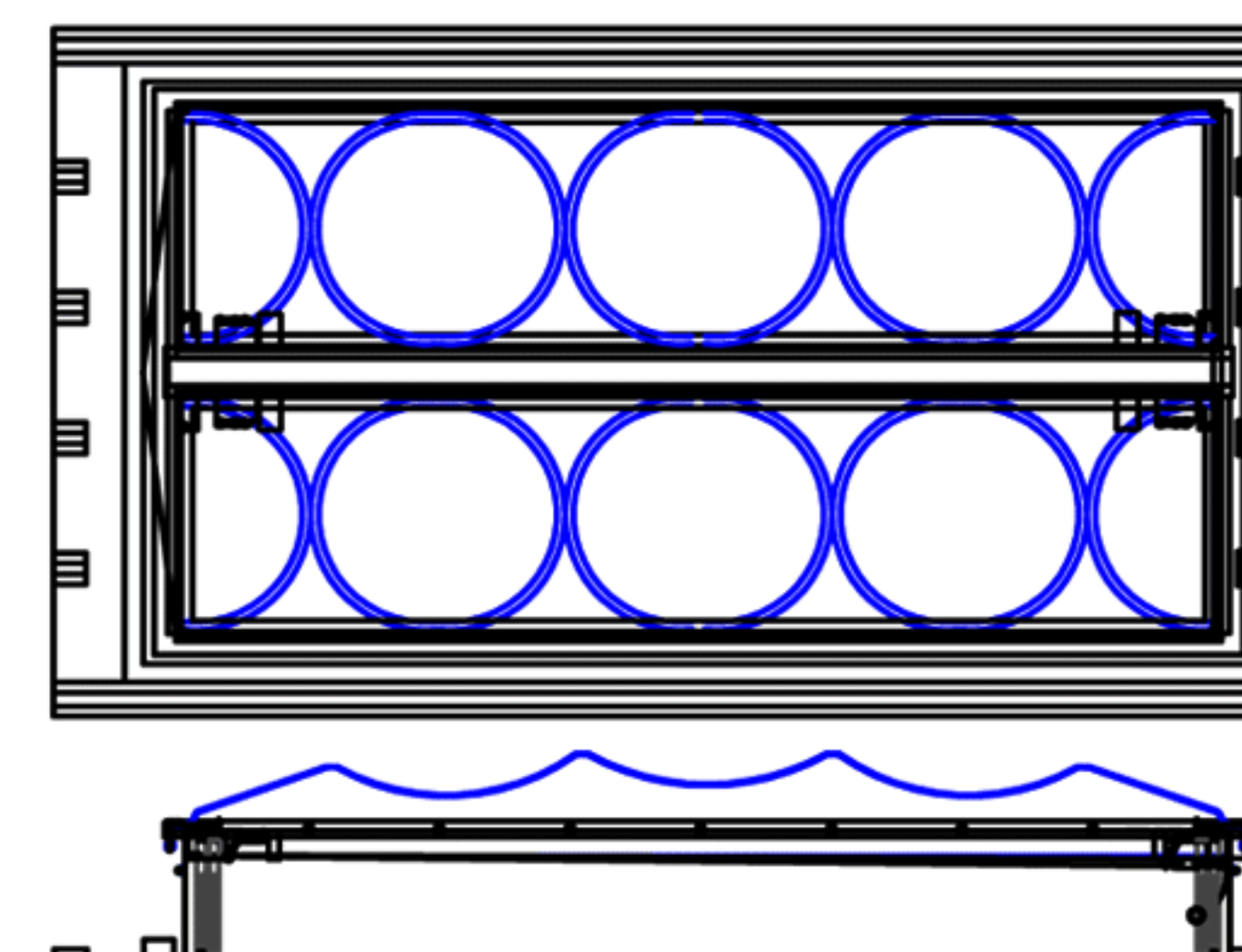
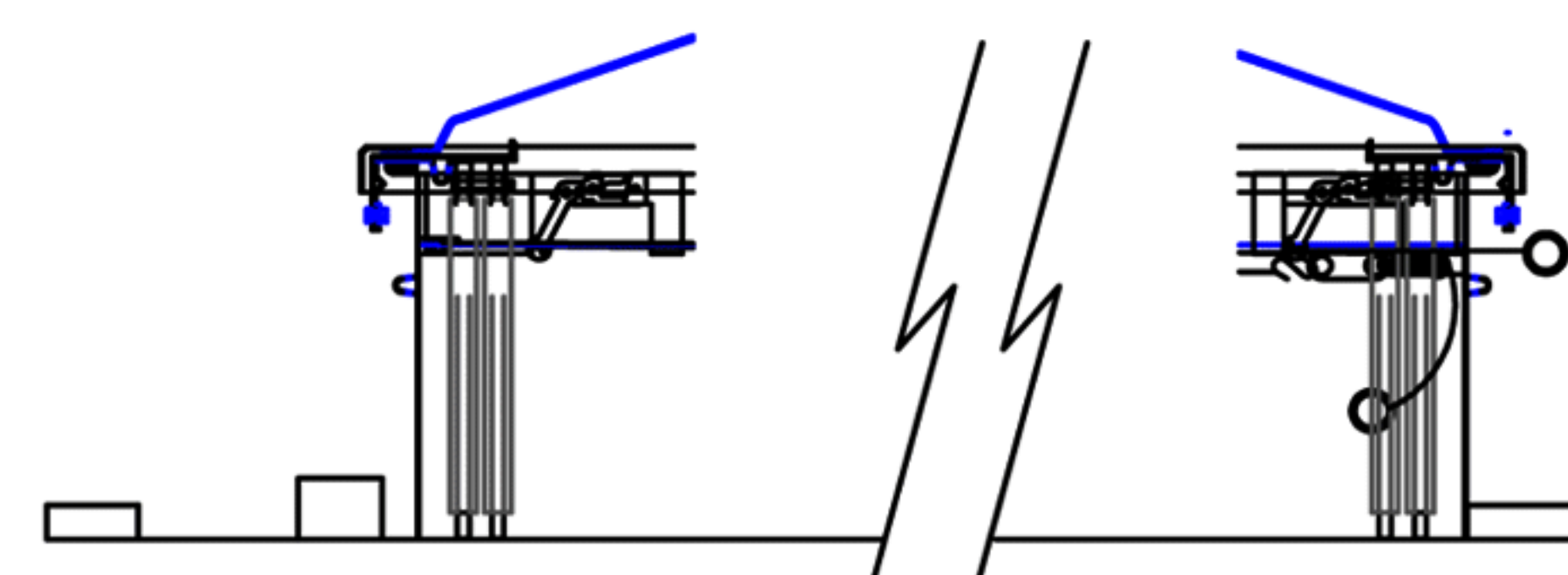
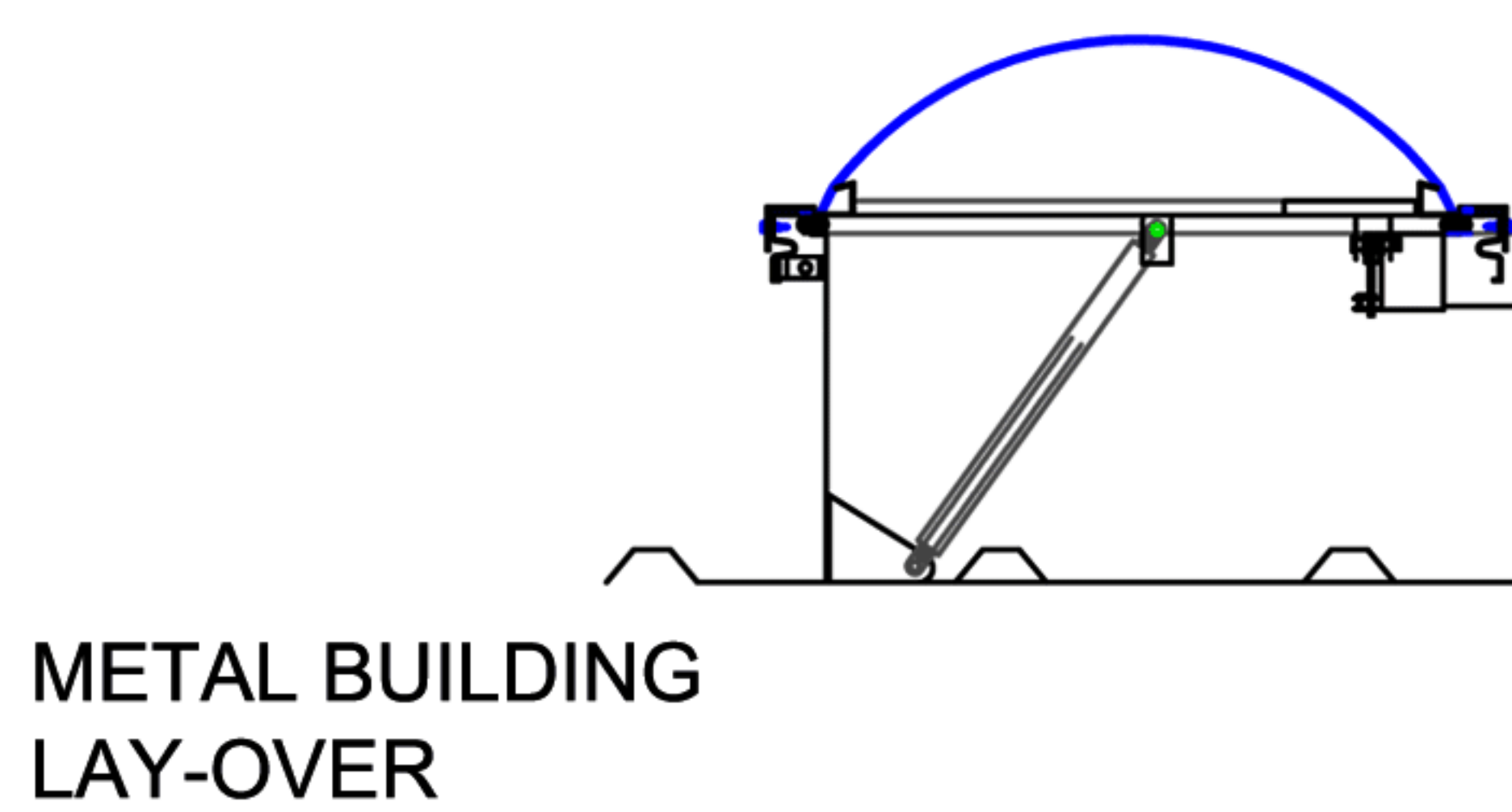
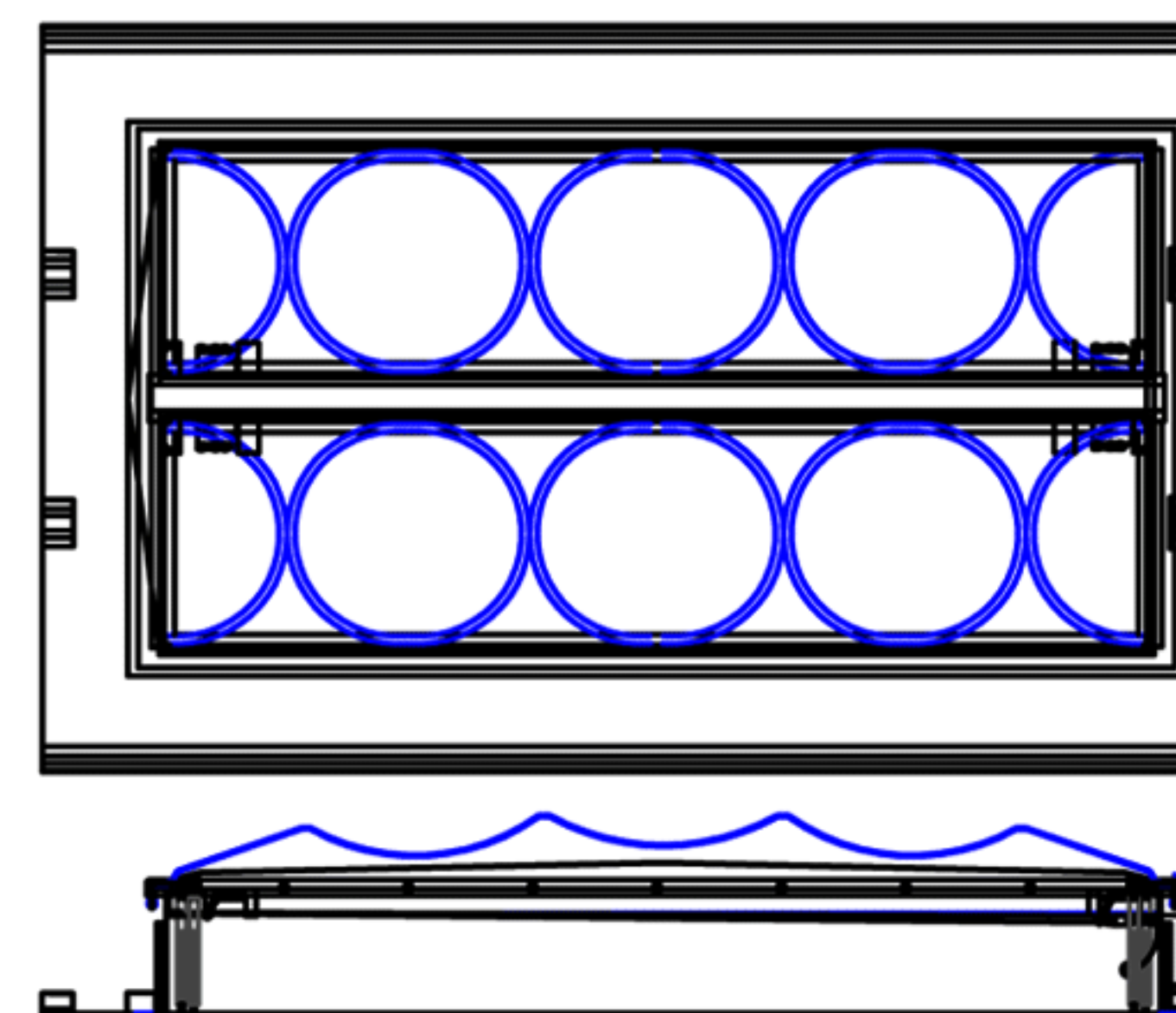
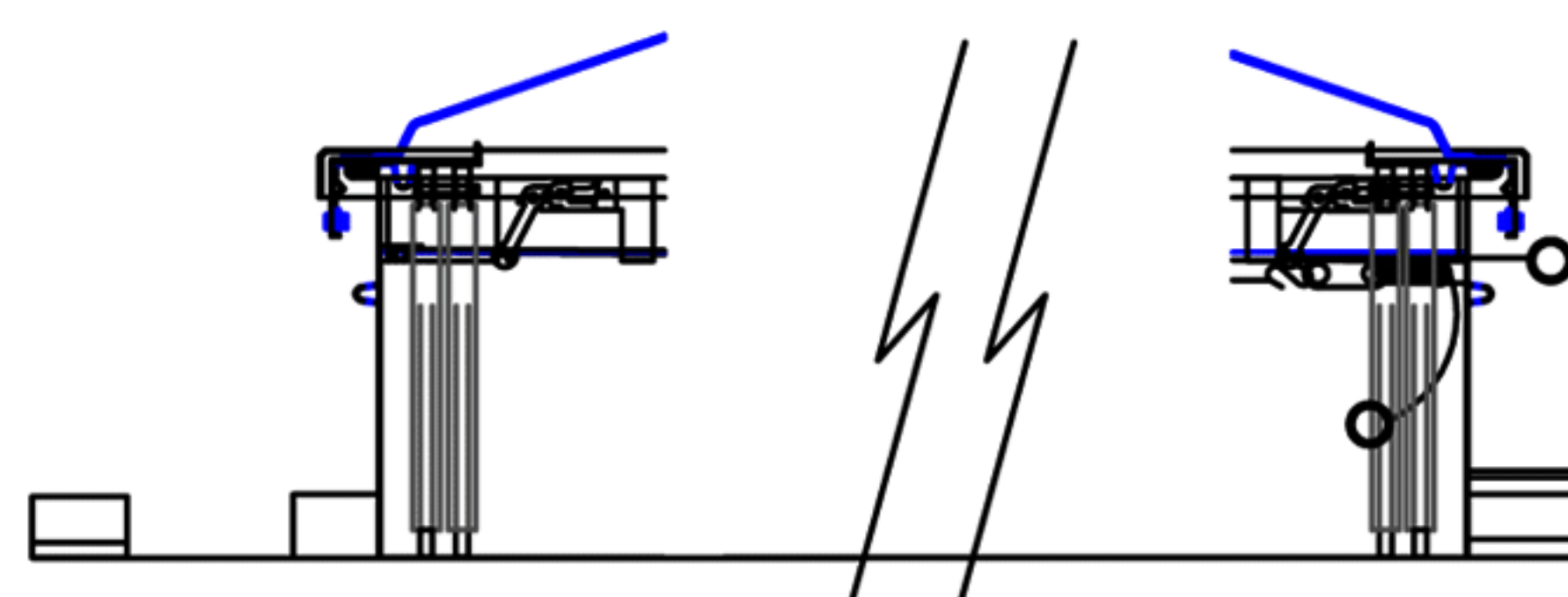
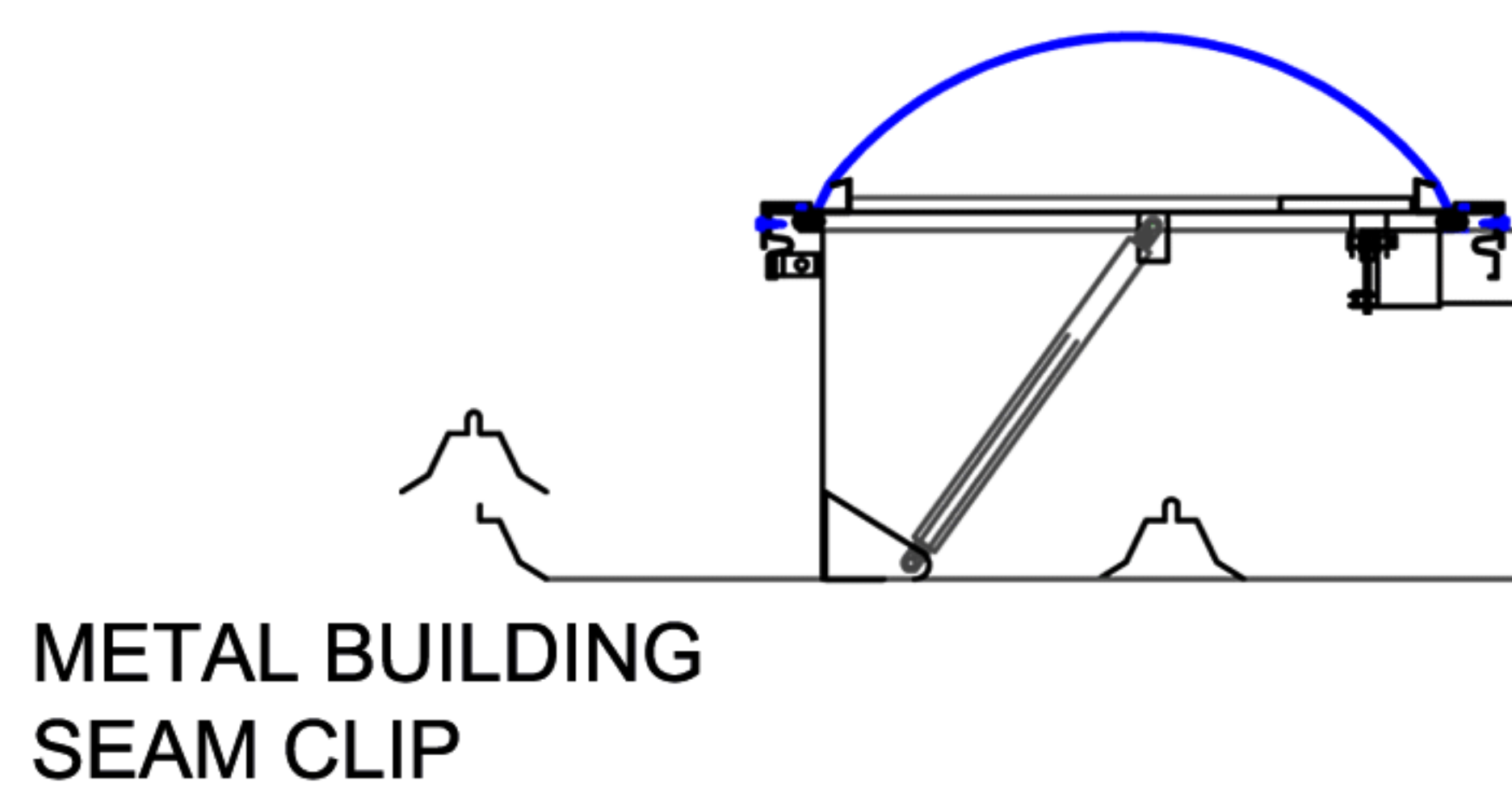
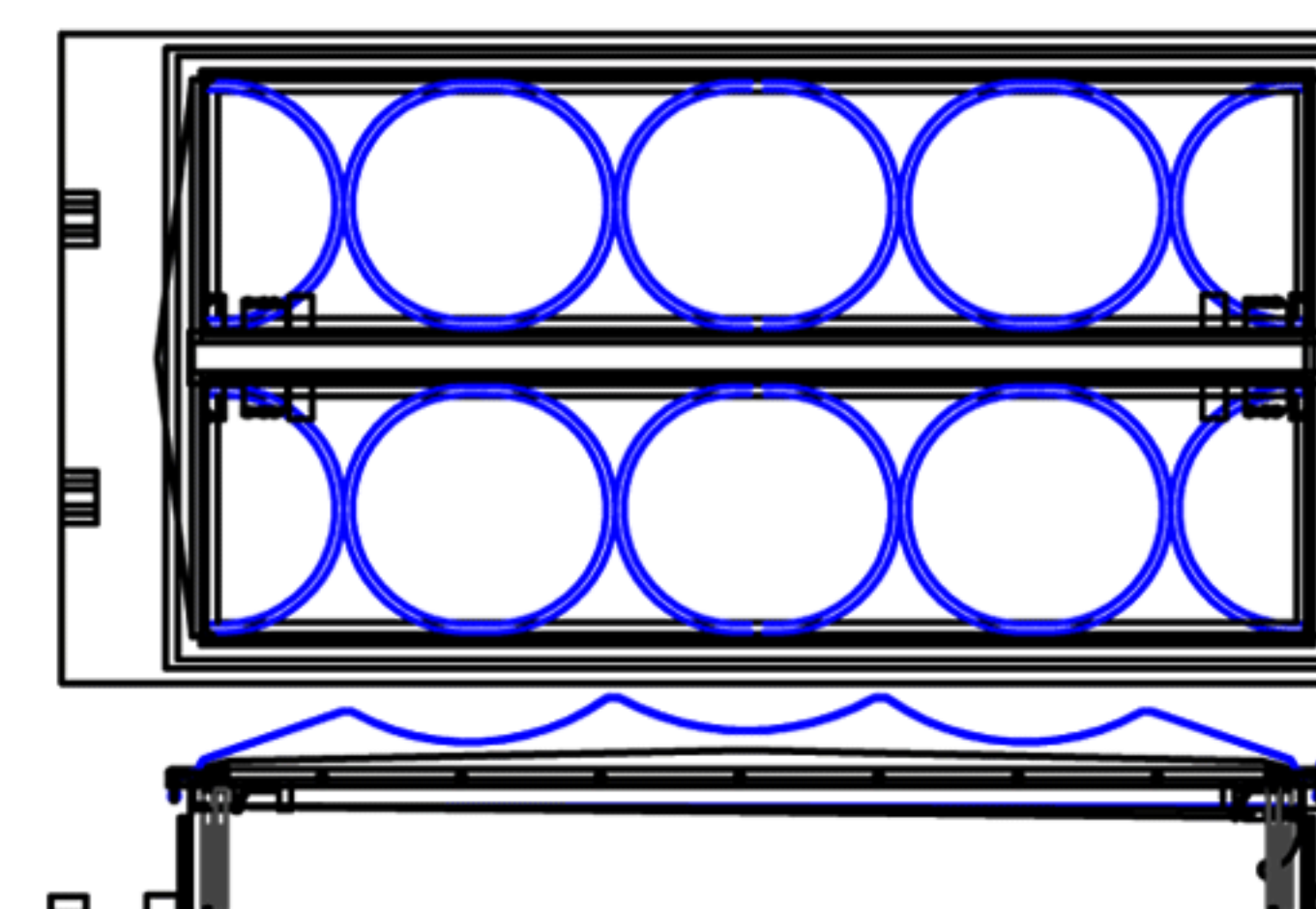
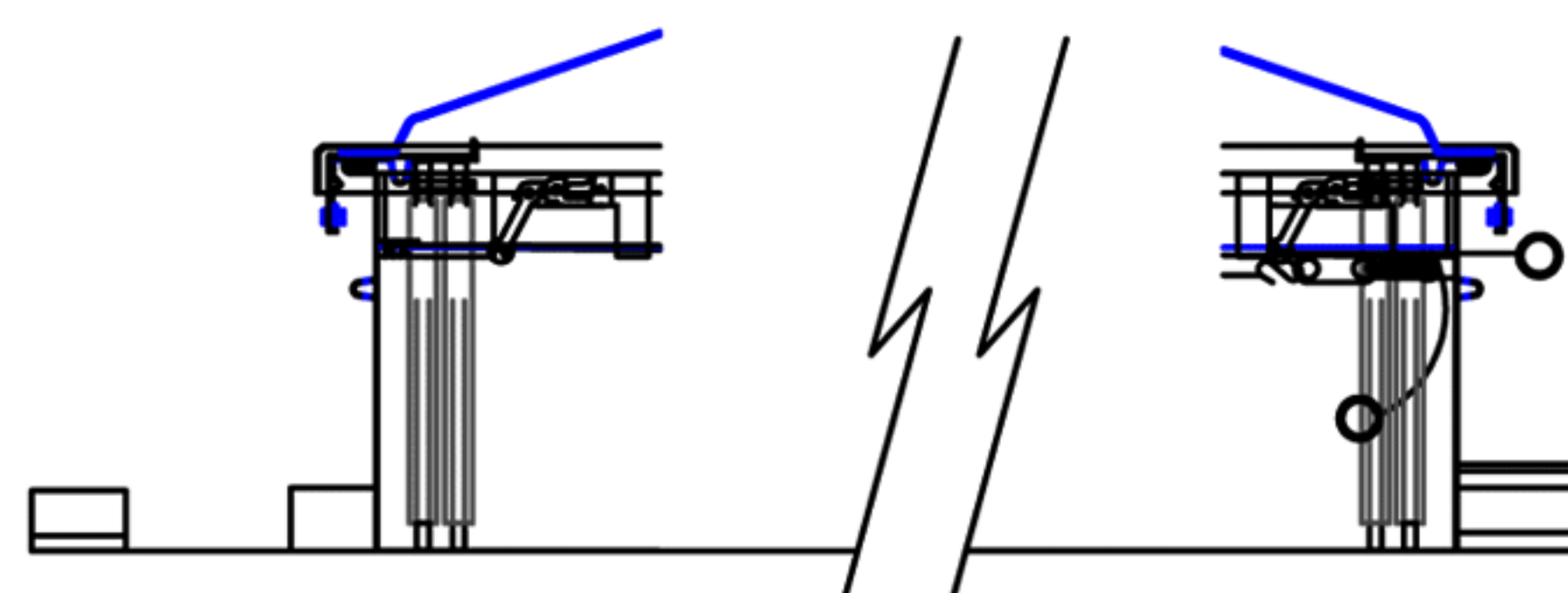
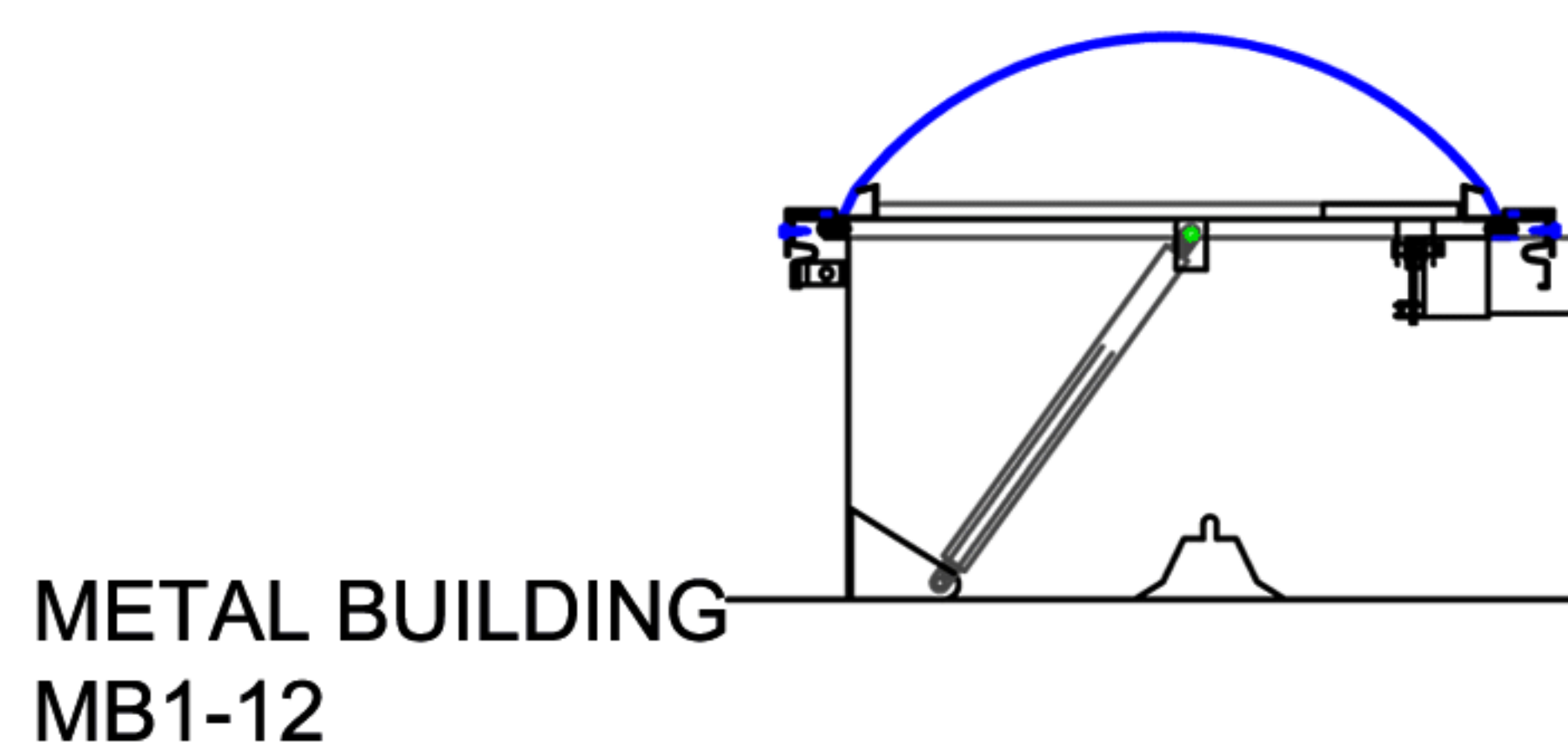
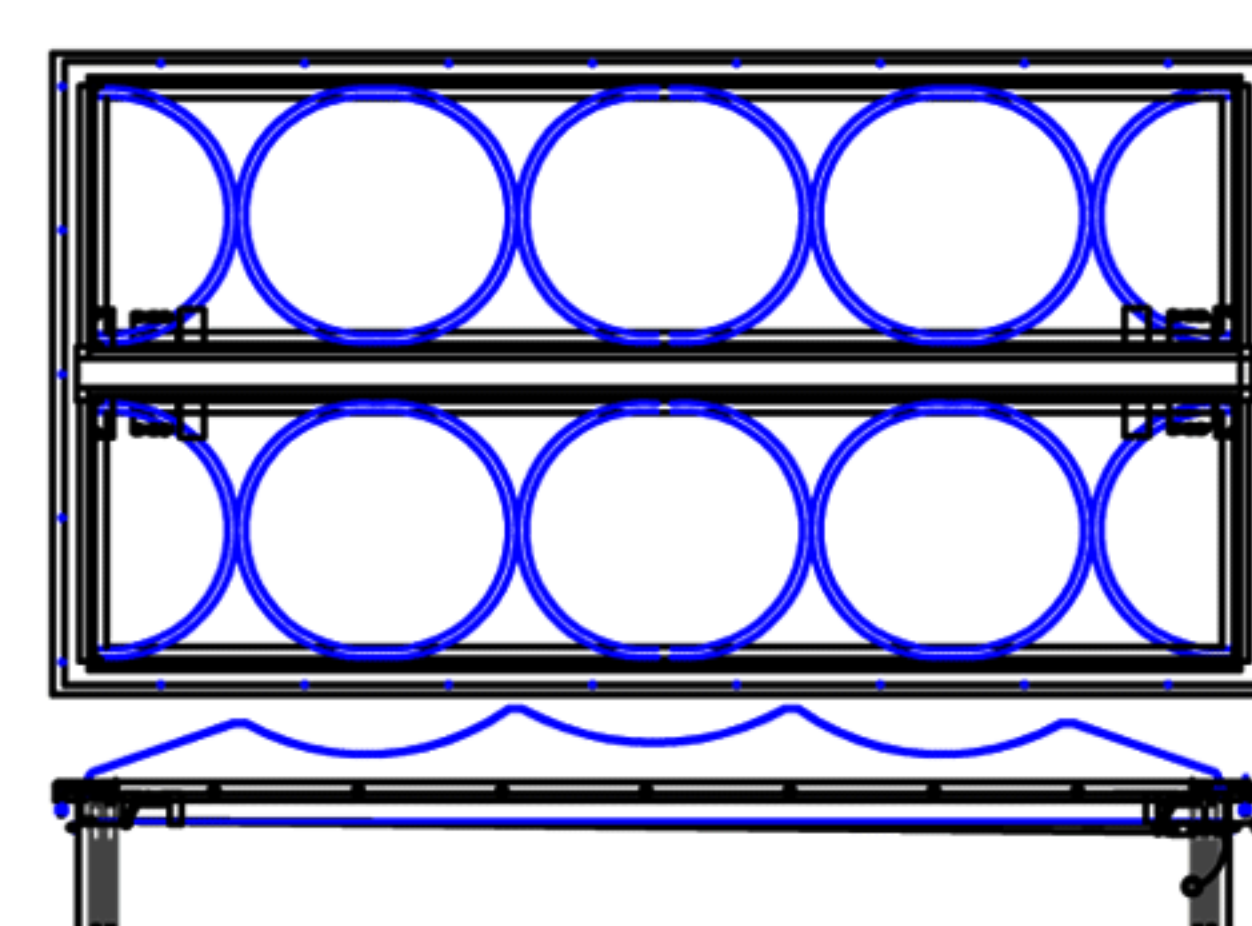
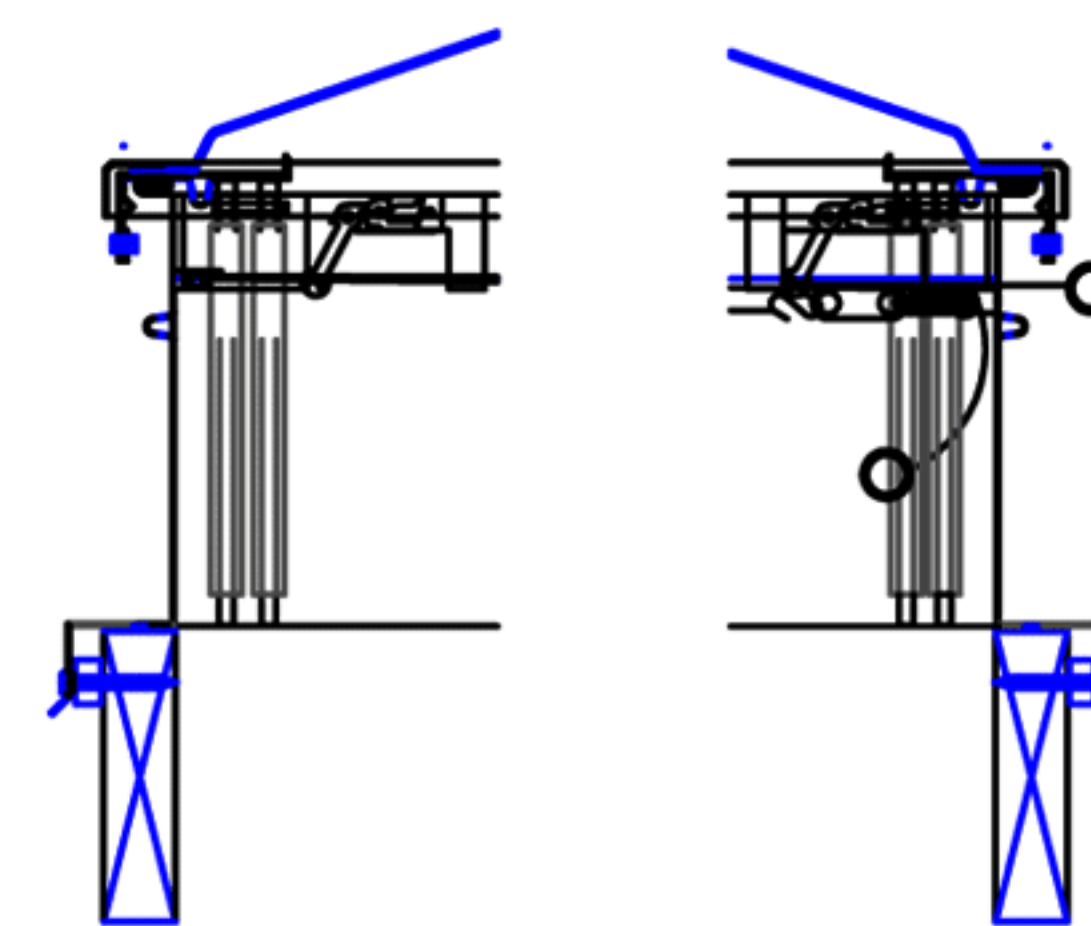
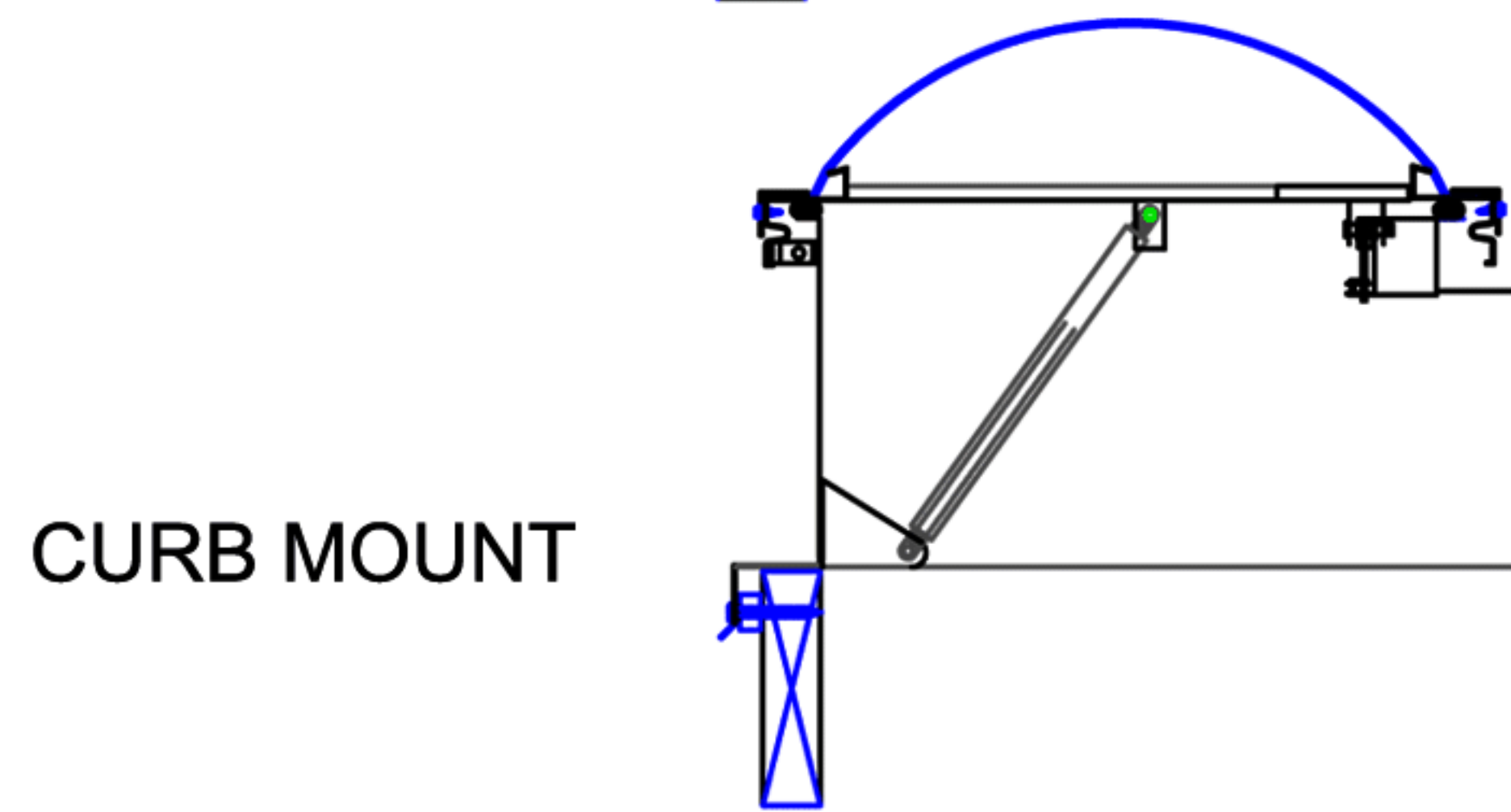
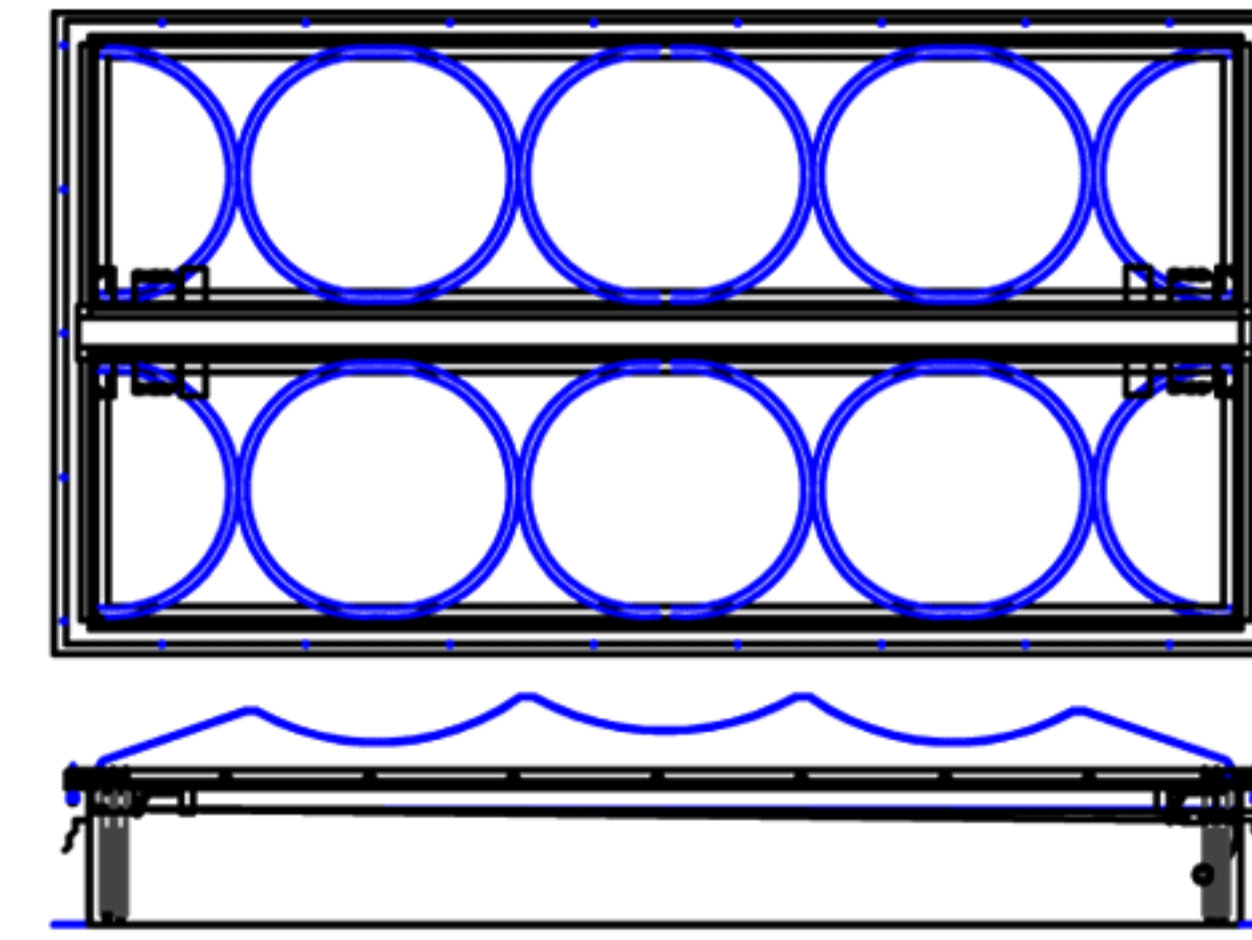
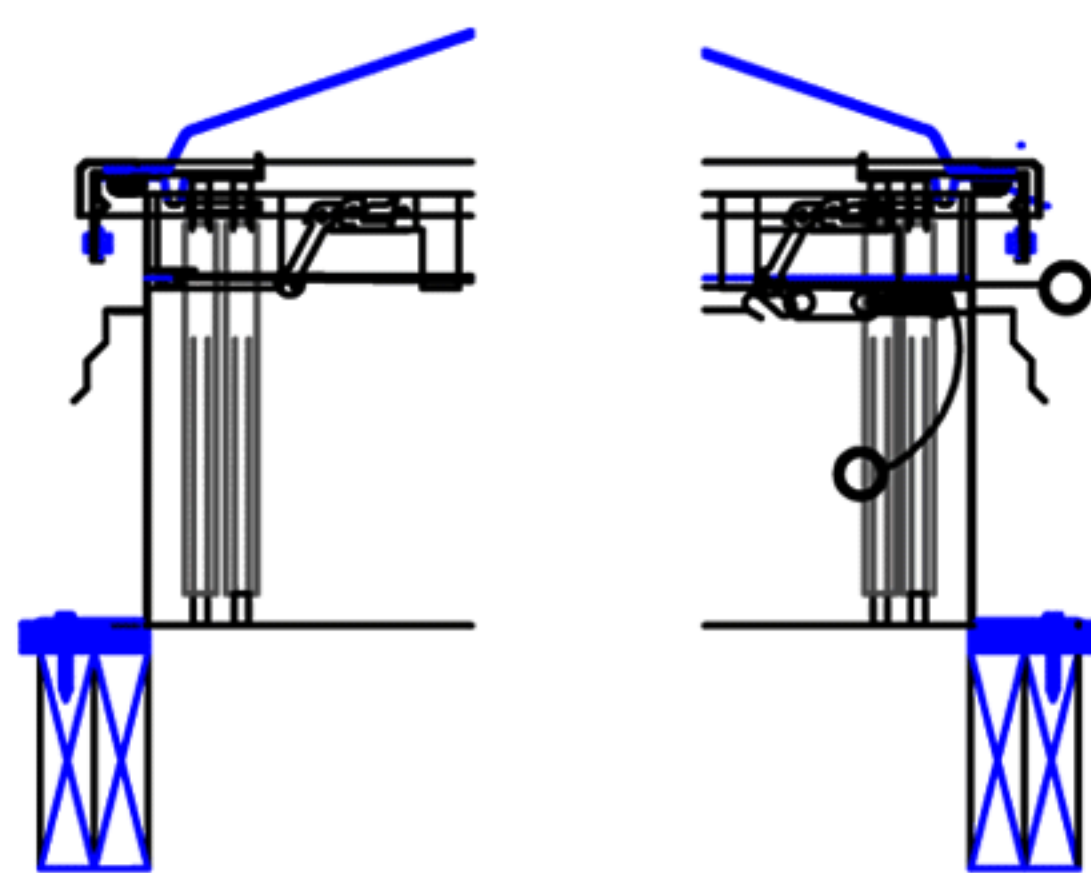
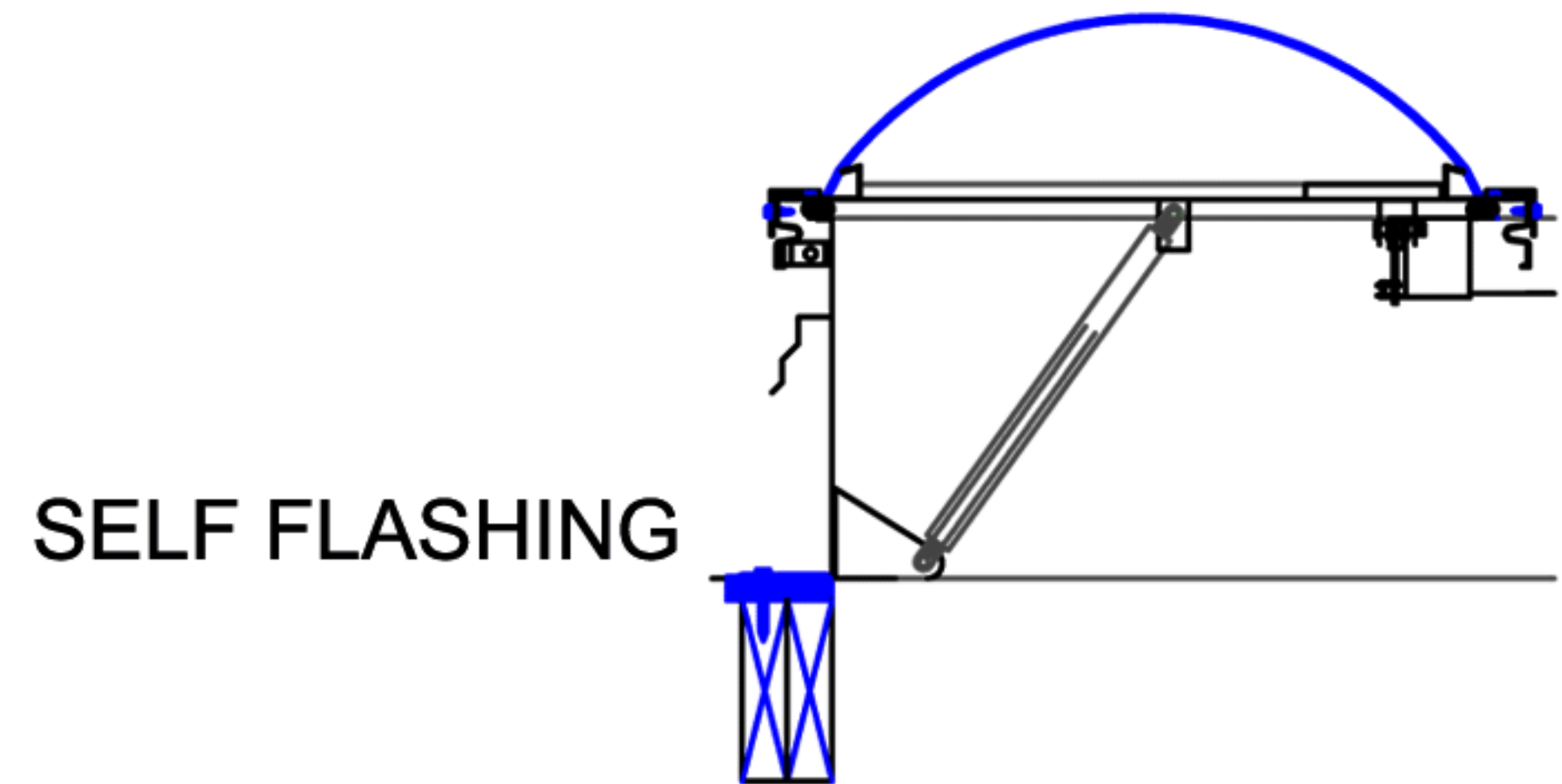
MODEL

ARCHITECT

DATE

UL LISTED - SINGLE DOME - HIGH CAPACITY

BASE OPTIONS



R&S Manufacturing and Sales
 www.RnSsales.com
 sales@RnSsales.com
 805-375-3980 Fax 805-375-3981

CUSTOMER

QUANTITY

JOB NAME

MODEL

ARCHITECT

DATE