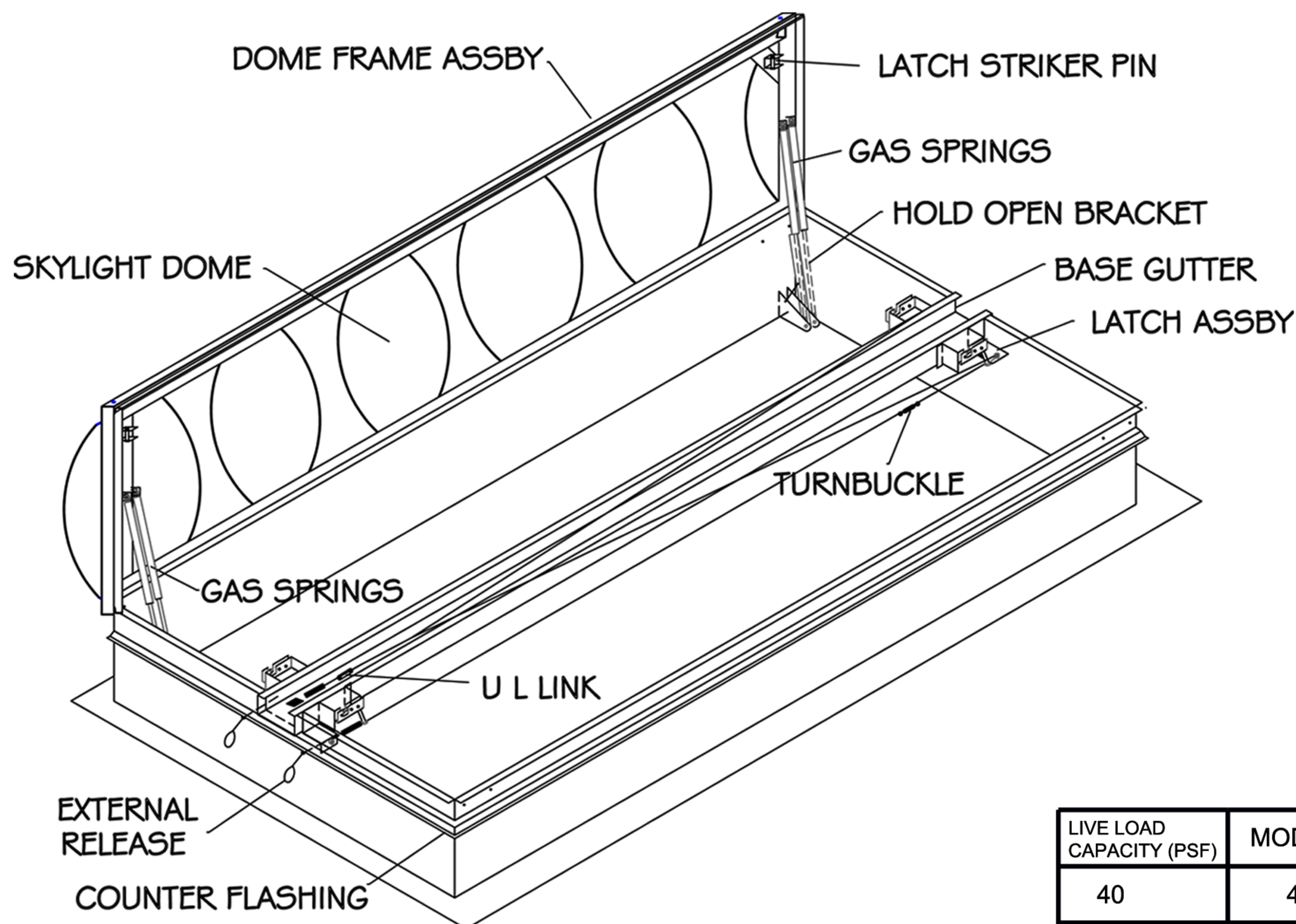
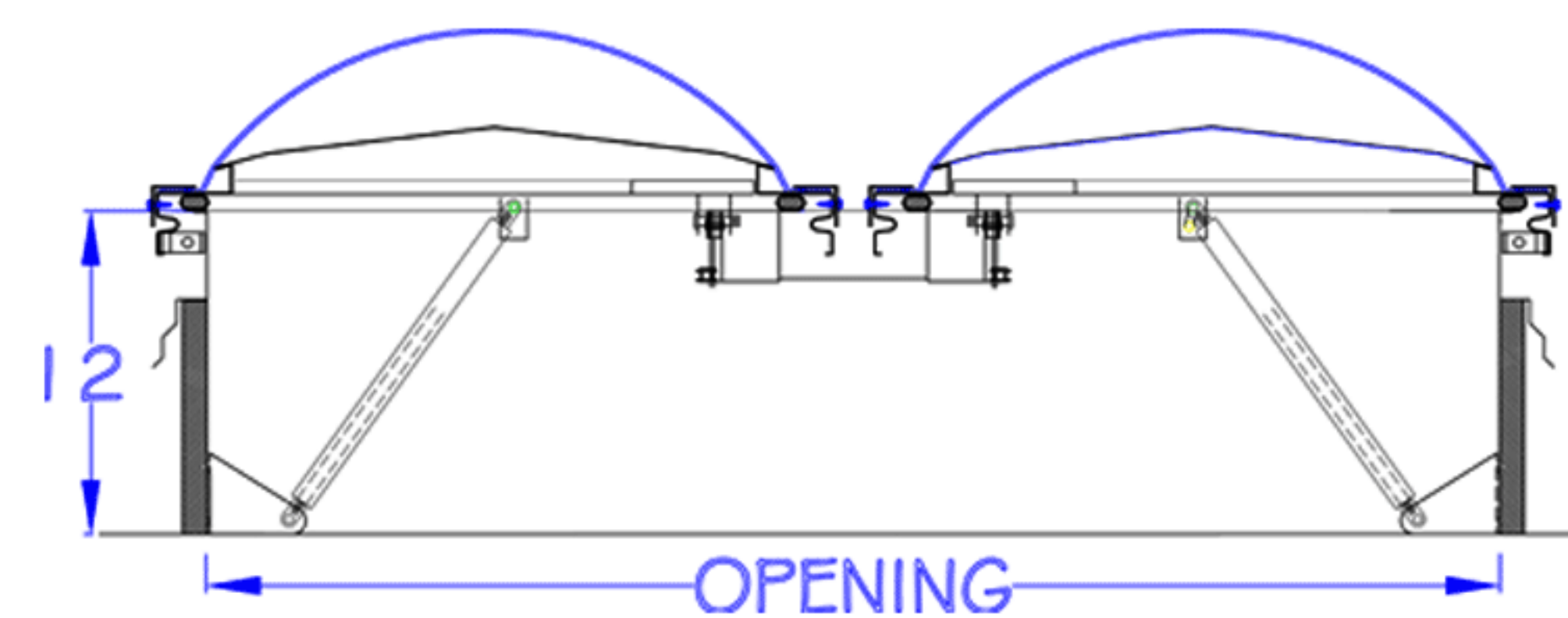
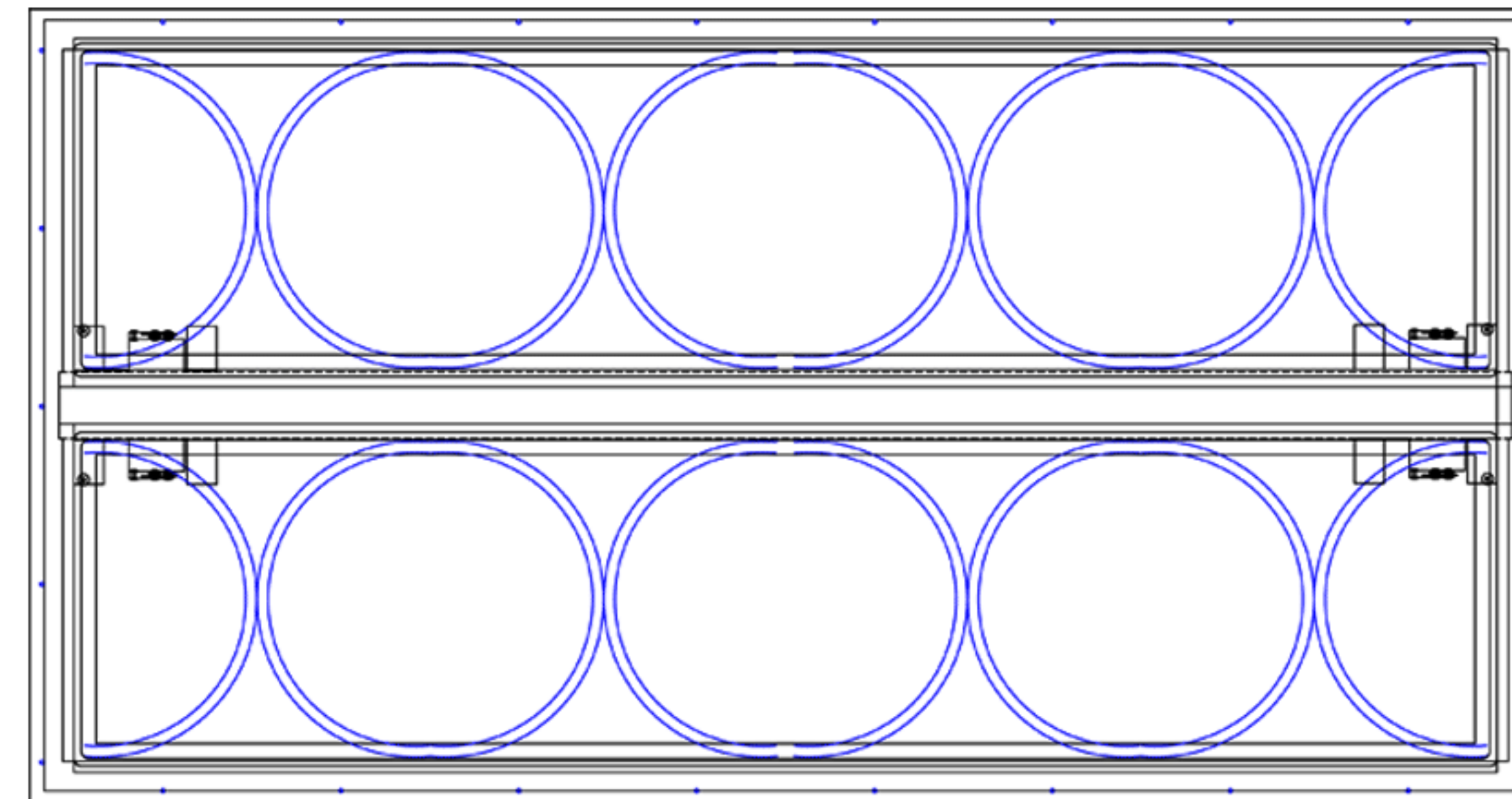


# UL LISTED - DOUBLE DOME - HIGH CAPACITY

## SPECIFICATIONS

- Fully Welded & Assembled Curb 18 GA G90 Steel or 0.063" Aluminum
- 4" x 4" x 3/16" Galvanized Steel OSHA Compliant Safety Screen Option
- Base options include self flashing, curb mount and metal building
- White 0.118" Copolyester outer domes
- Clear 0.030" inner domes
- 40% Visible Light Transmittance with 100% Haze Factor
- 0.50 Solar Heat Gain Coefficient
- 0.53 U Factor
- Dome Frames with sealants and Condensate provisions
- Full perimeter EPDM bulb gaskets
- Lids open against a 20 to 40 PSF live load
- Lid uplift rating 30 PSF
- Hinges and latches 12 GA galvanized steel
- Latches rated for 90 PSF uplift
- UL listed fusible or McCabe resettable links
- Inside and outside manual releases
- High performance gas springs with hold open



LIVE LOAD CAPACITY (PSF)	MODEL	SIZE
40	4848	48" x 48"
35	4896	48" x 96"
30	6060	60" x 60"
30	6072	60" x 72"
20	6096	60" x 96"



**R&S Manufacturing and Sales**  
 www.RnSales.com  
 sales@RnSales.com  
 805-375-3980 Fax 805-375-3981

CUSTOMER

QUANTITY

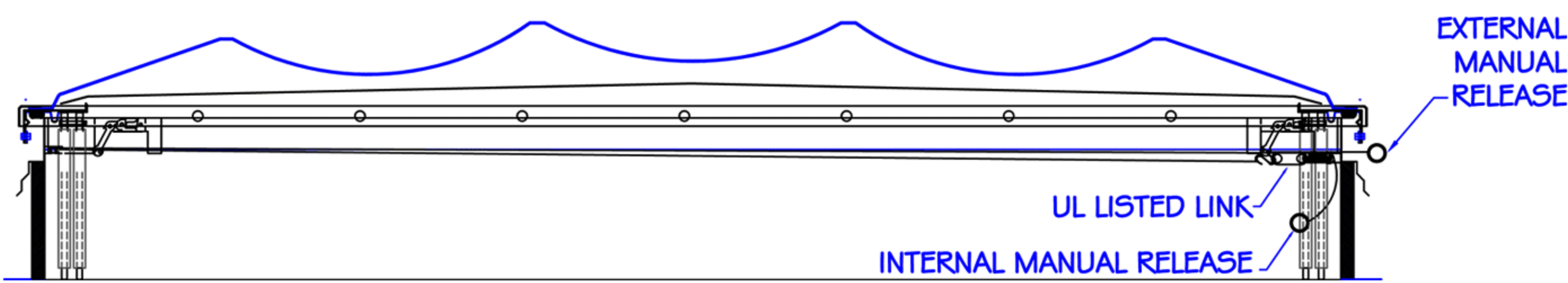
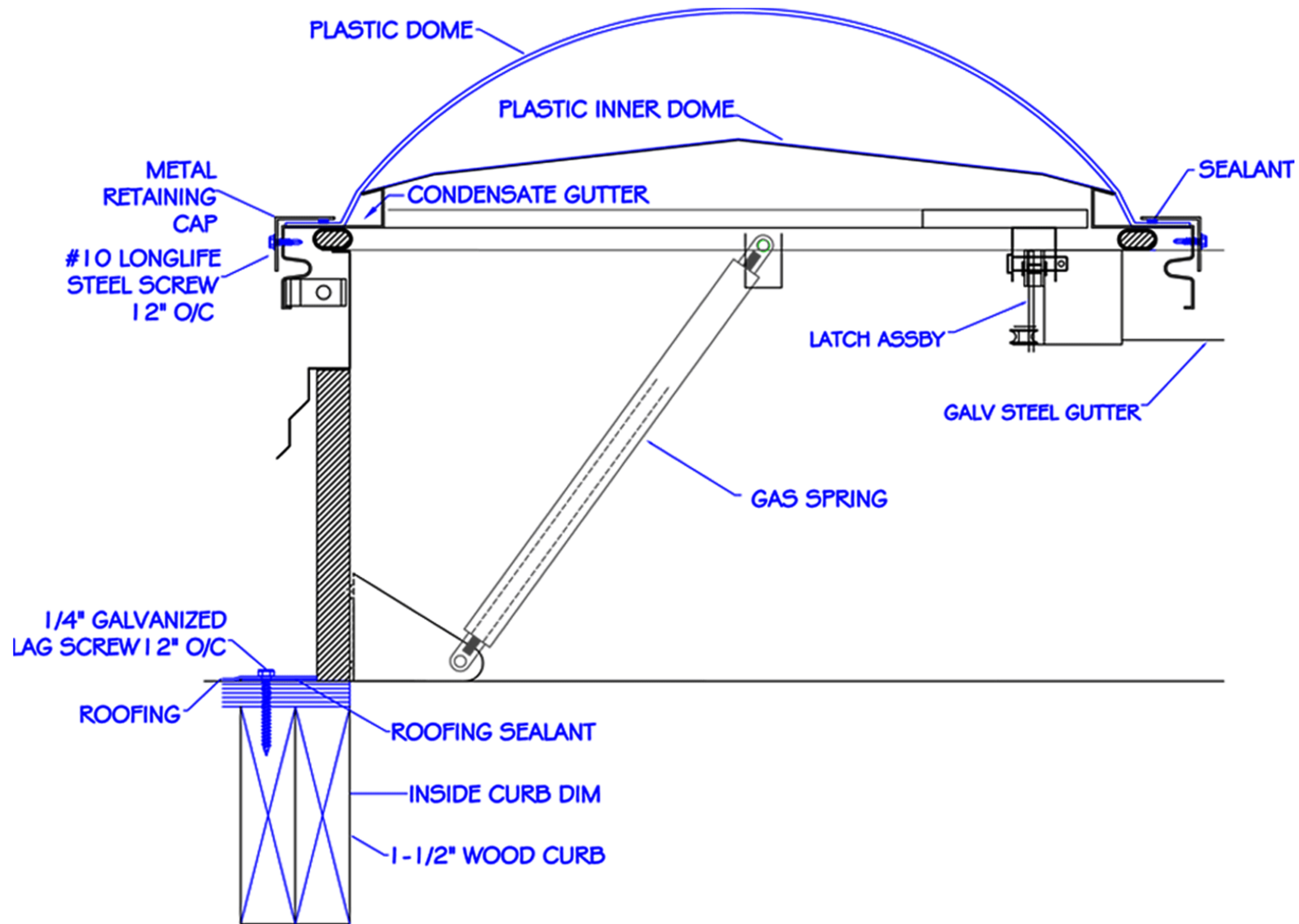
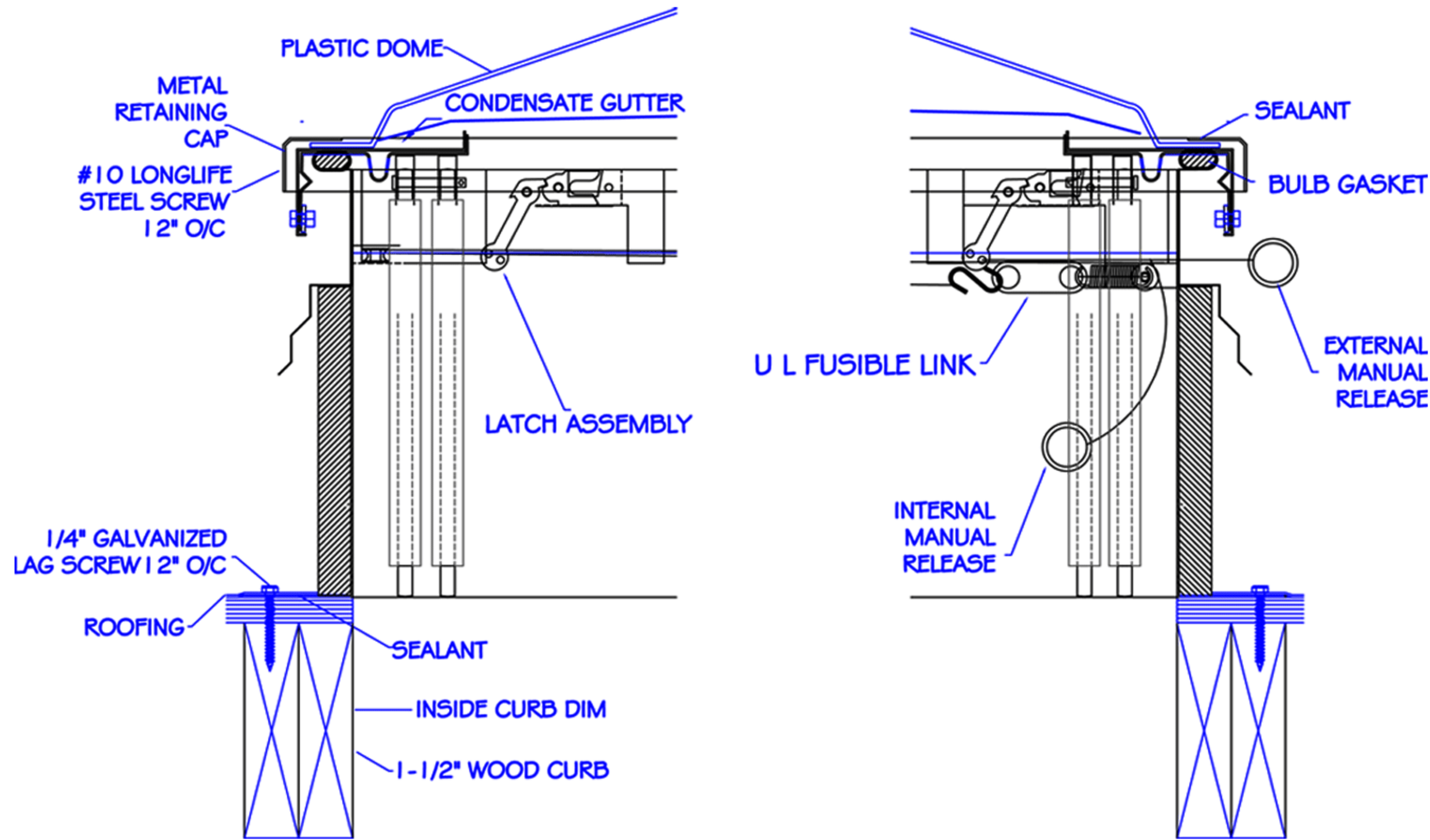
JOB NAME

MODEL

ARCHITECT

DATE

# UL LISTED - DOUBLE DOME - HIGH CAPACITY



LIVE LOAD CAPACITY (PSF)	MODEL	SIZE
40	4848	48" x 48"
35	4896	48" x 96"
30	6060	60" x 60"
30	6072	60" x 72"
20	6096	60" x 96"



**R&S Manufacturing and Sales**  
 www.RnSales.com  
 sales@RnSales.com  
 805-375-3980 Fax 805-375-3981

CUSTOMER

QUANTITY

JOB NAME

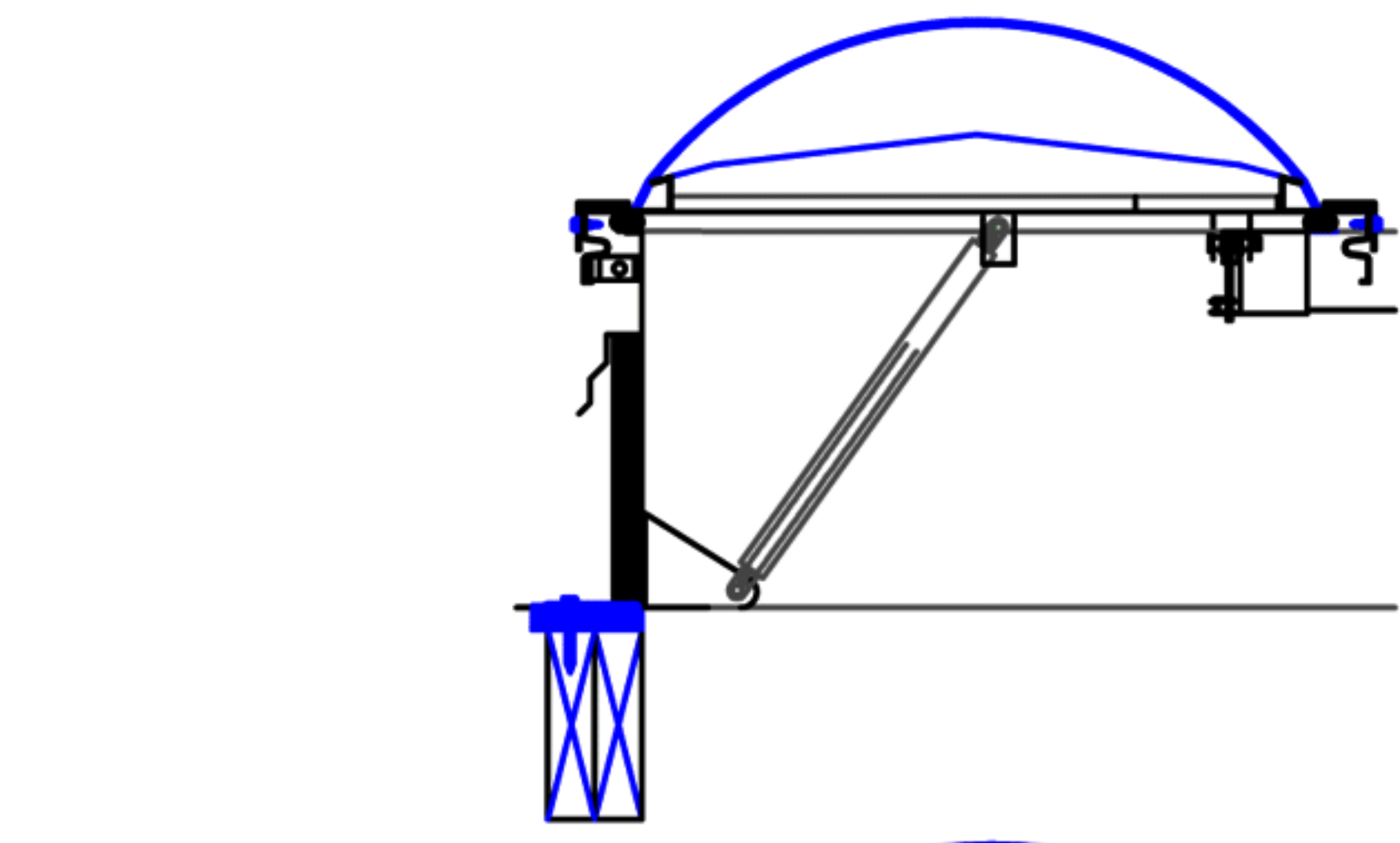
MODEL

ARCHITECT

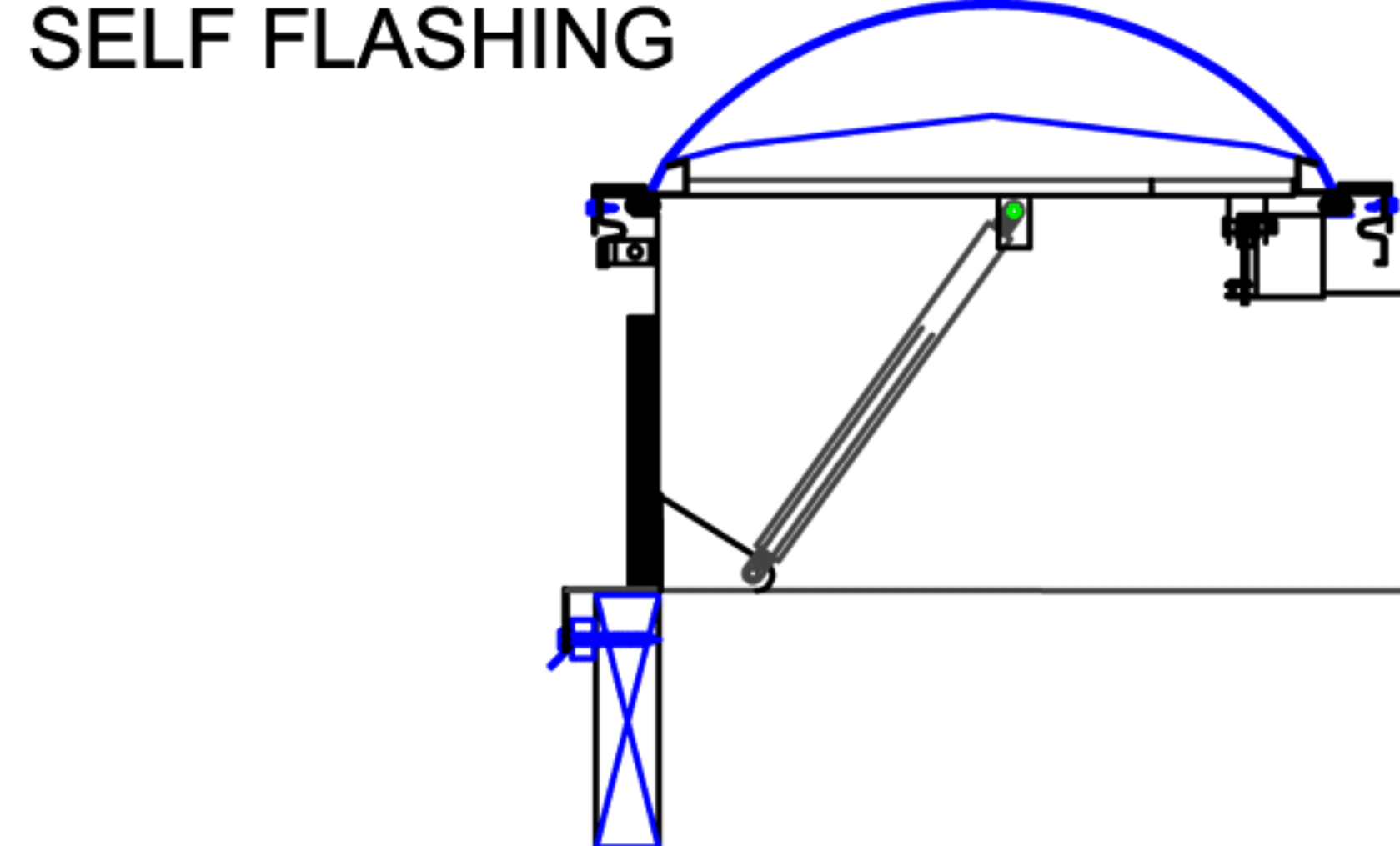
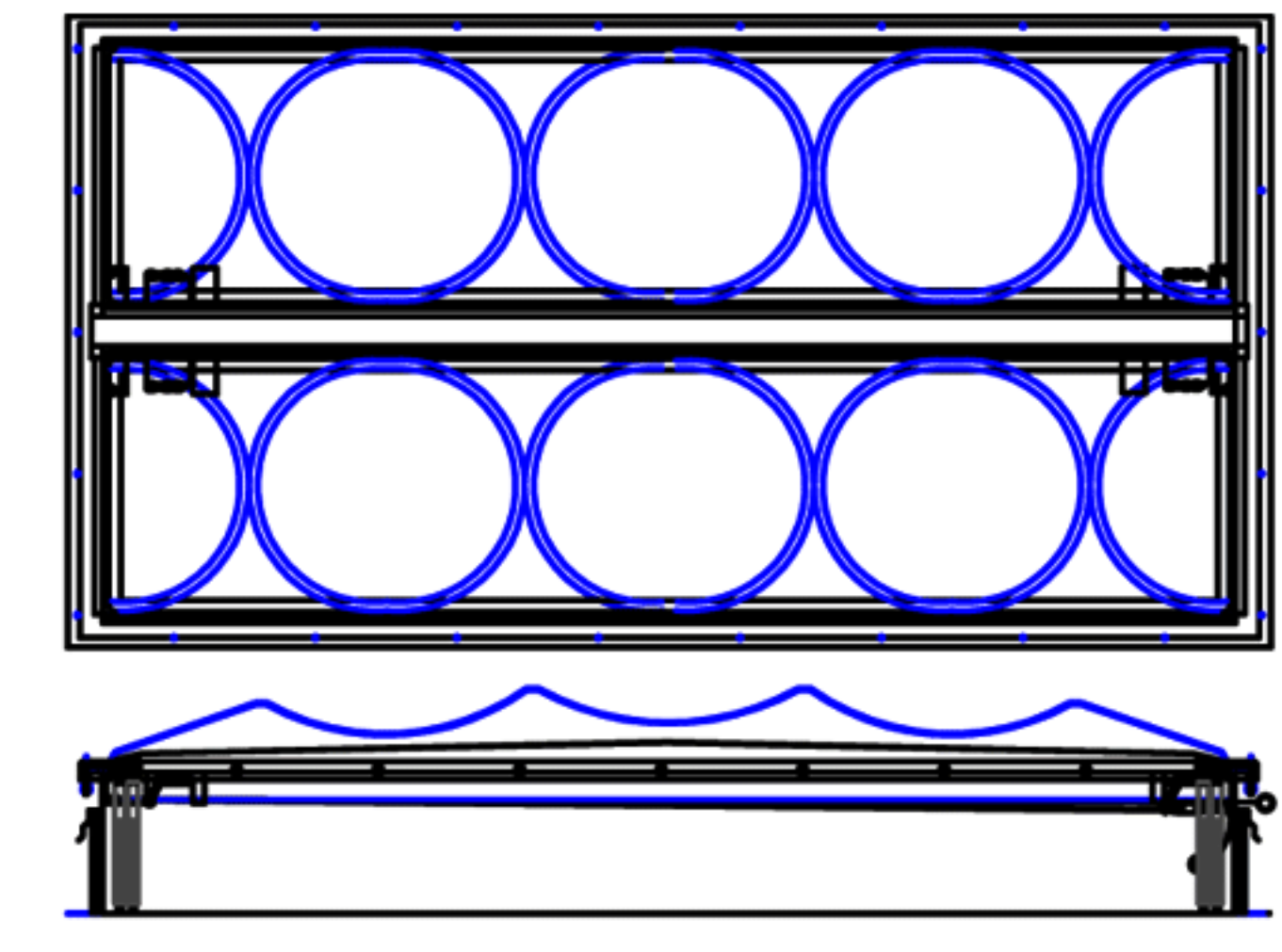
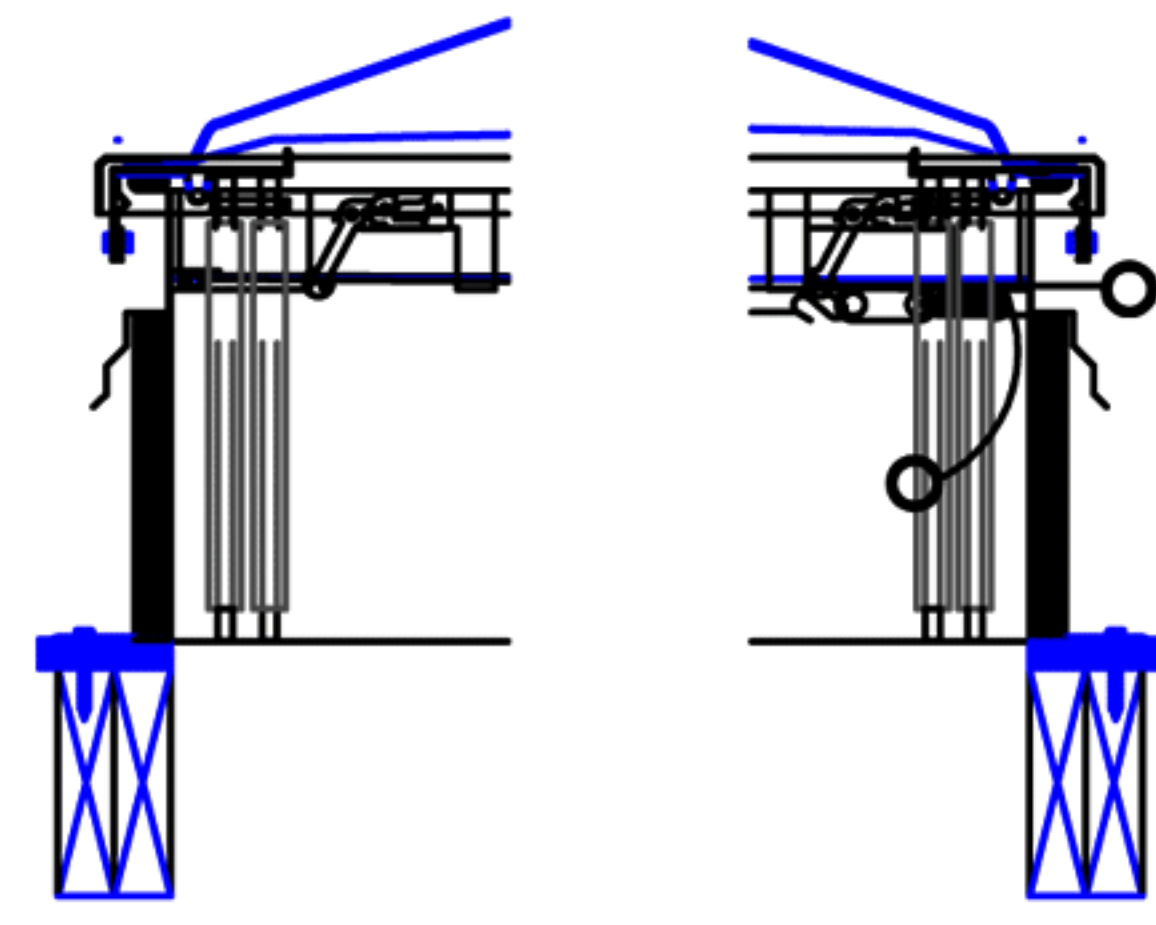
DATE

# UL LISTED - DOUBLE DOME - HIGH CAPACITY

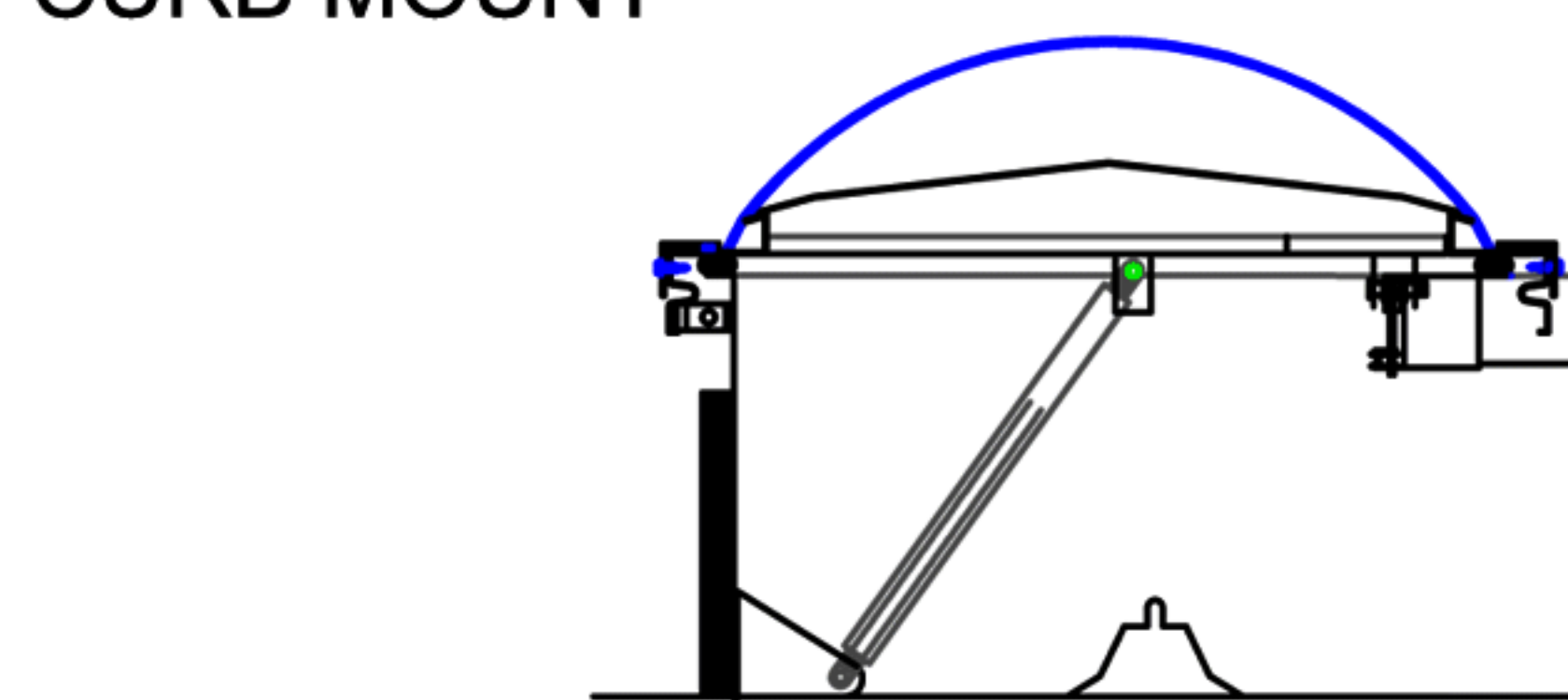
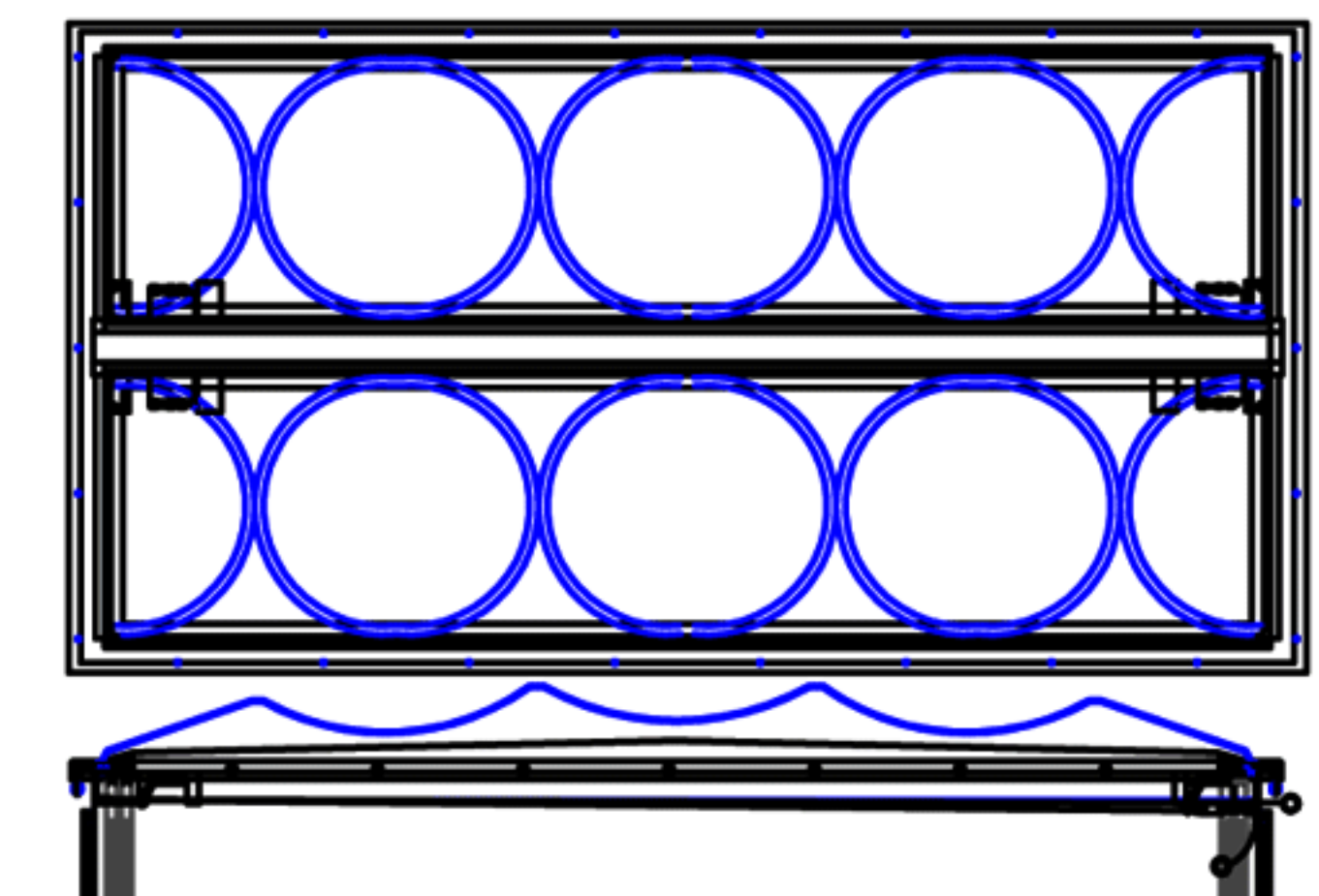
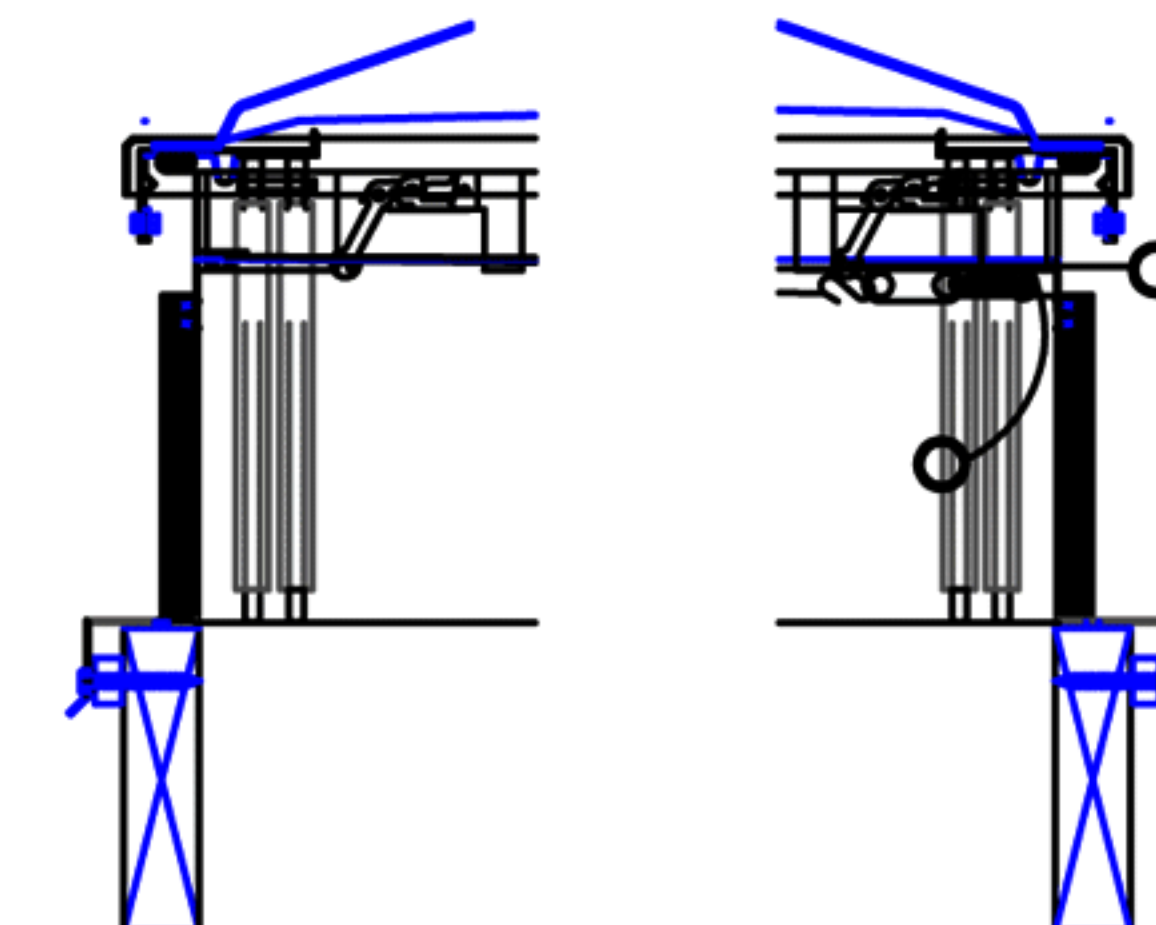
## BASE OPTIONS



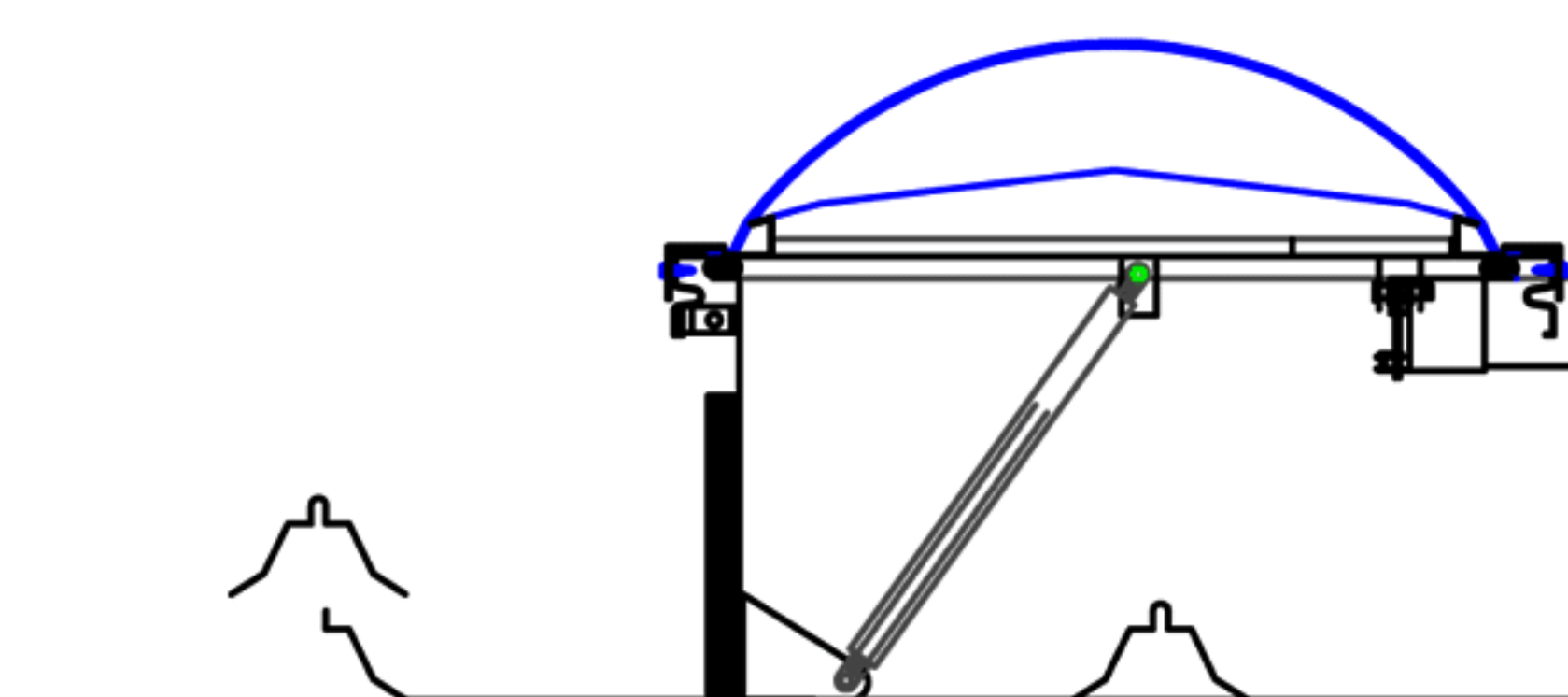
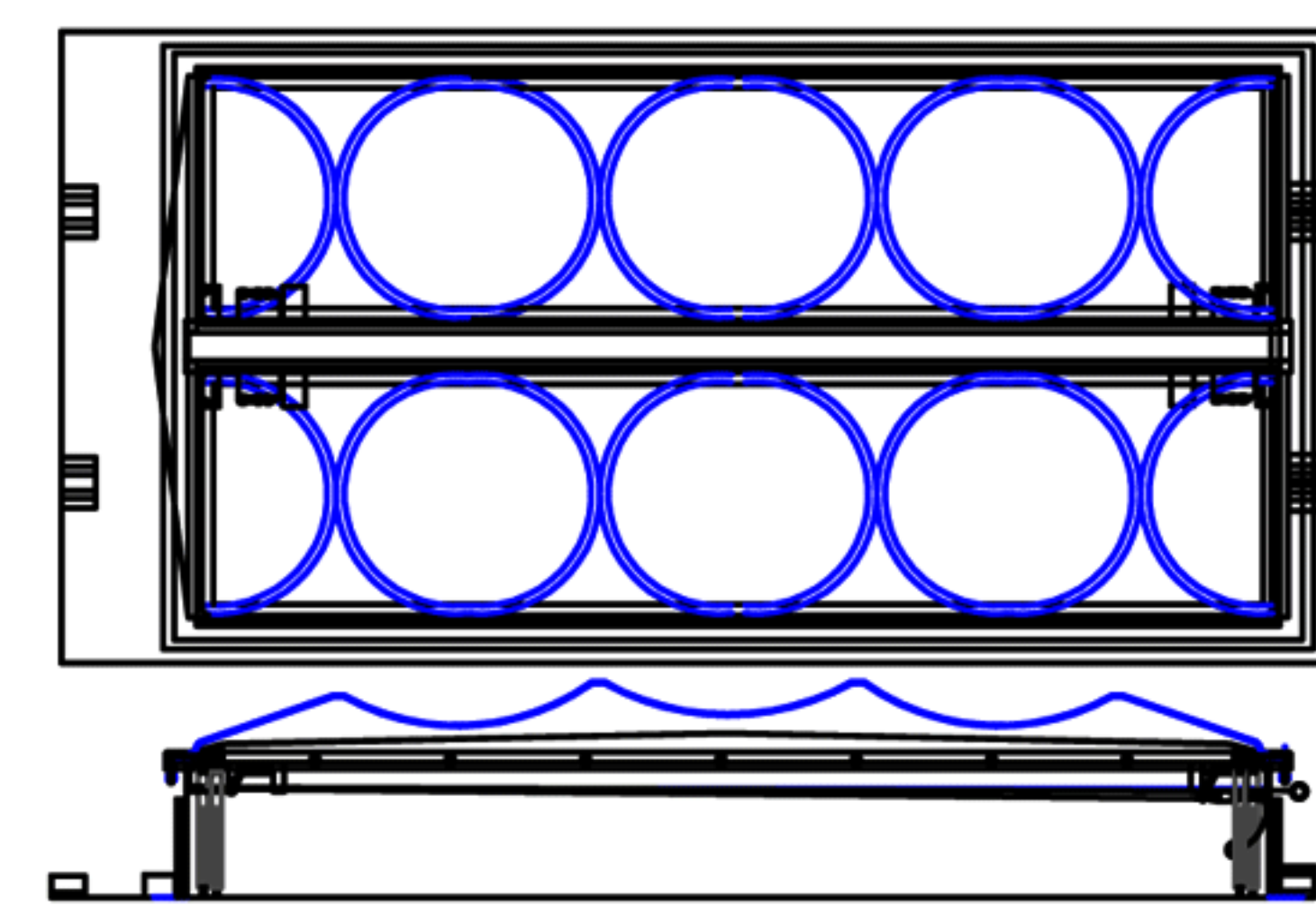
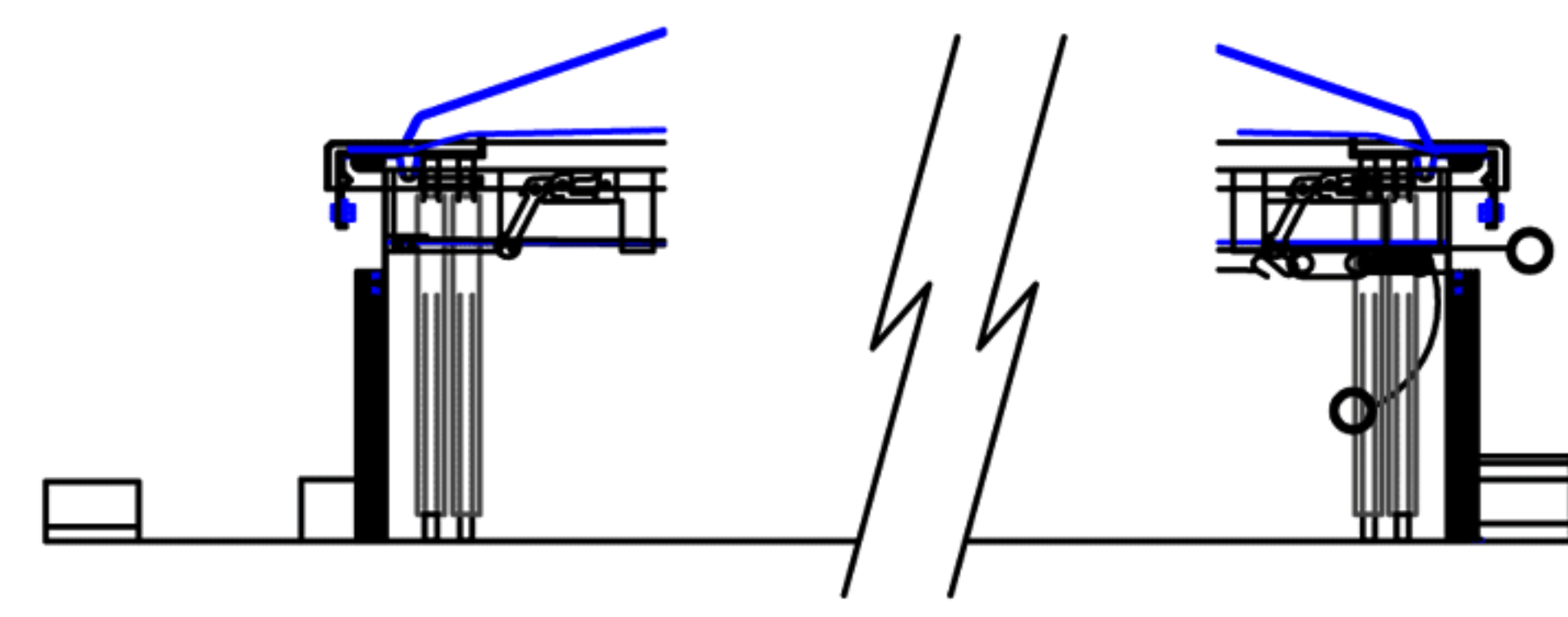
SELF FLASHING



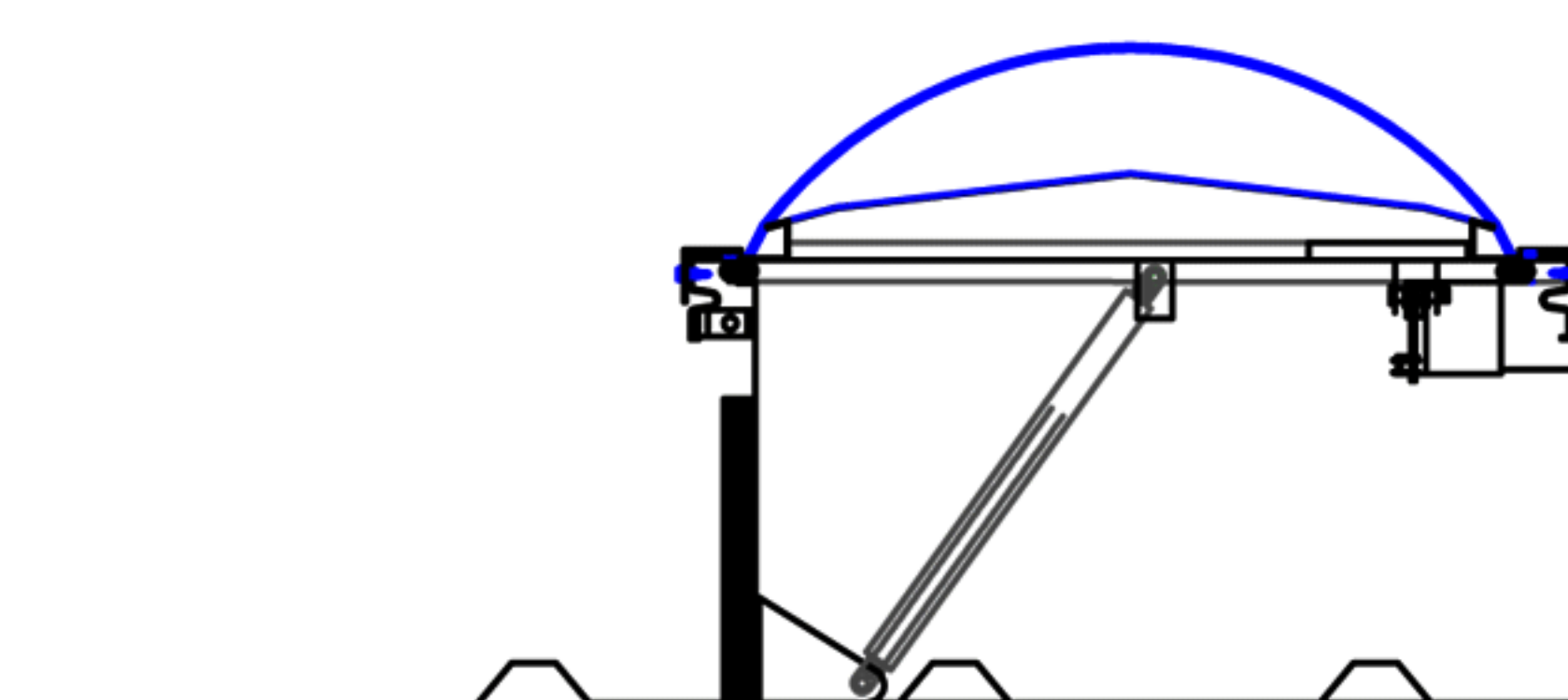
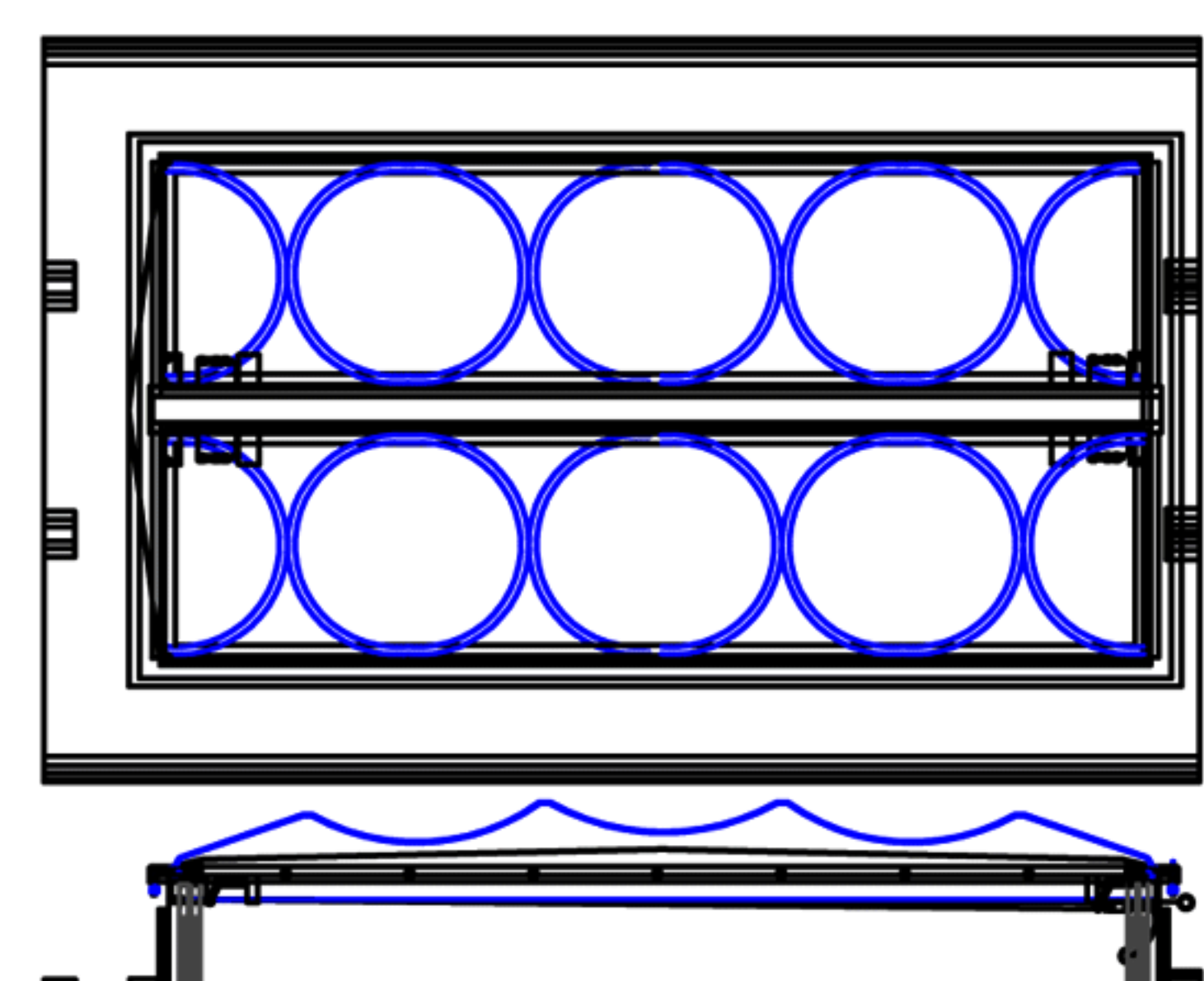
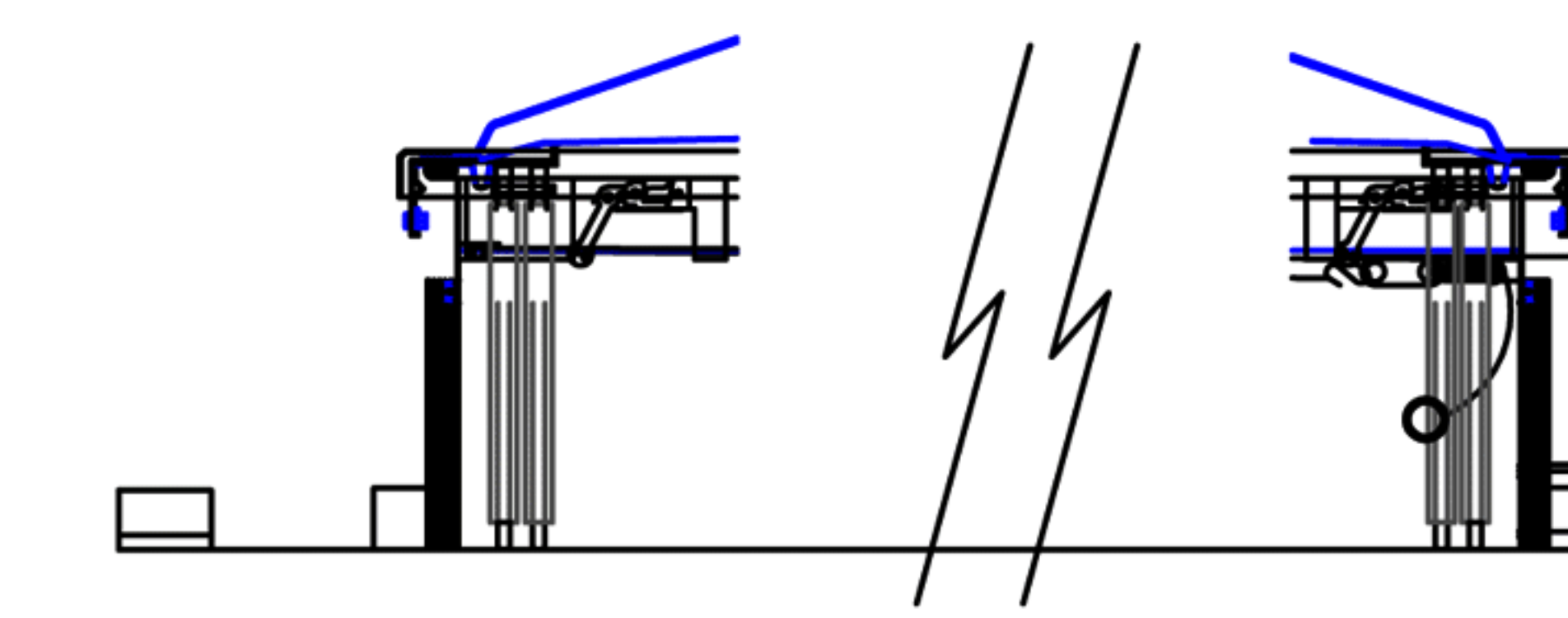
CURB MOUNT



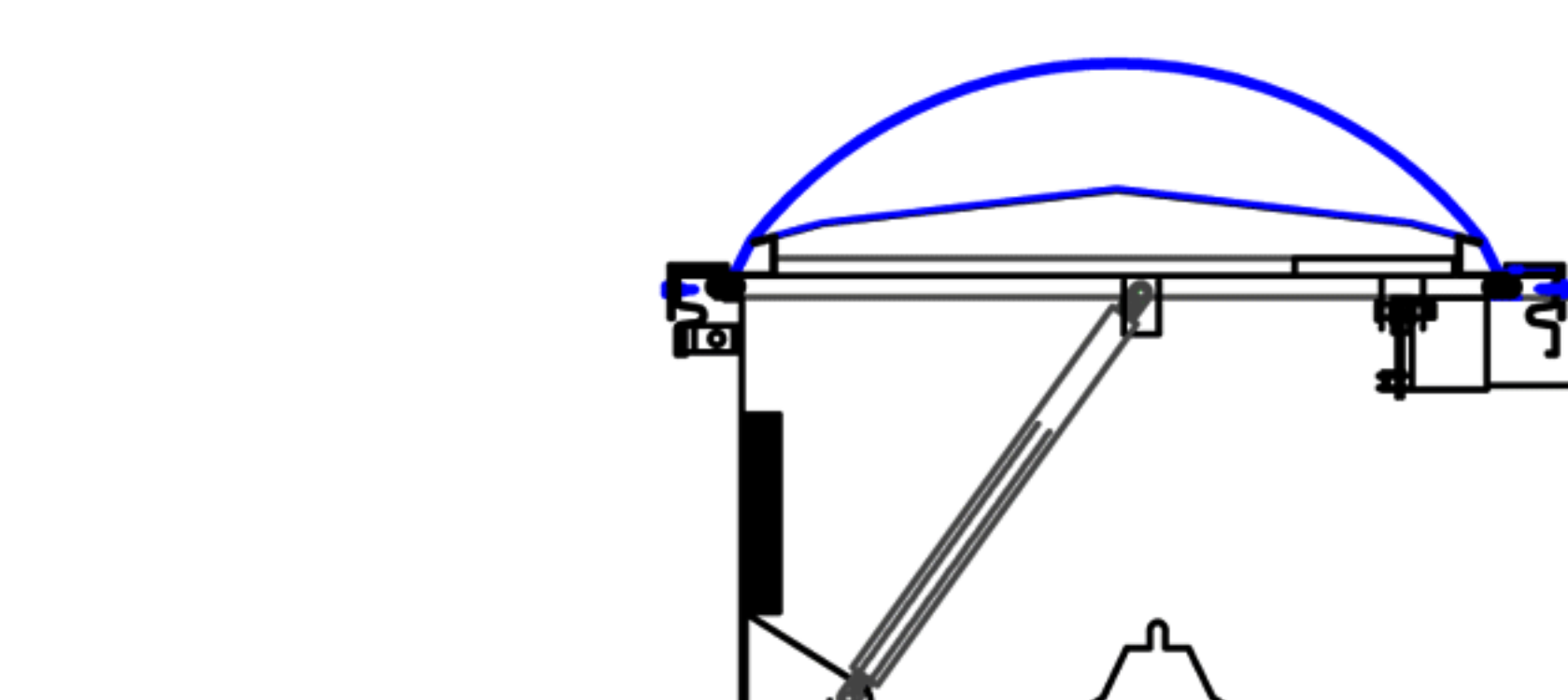
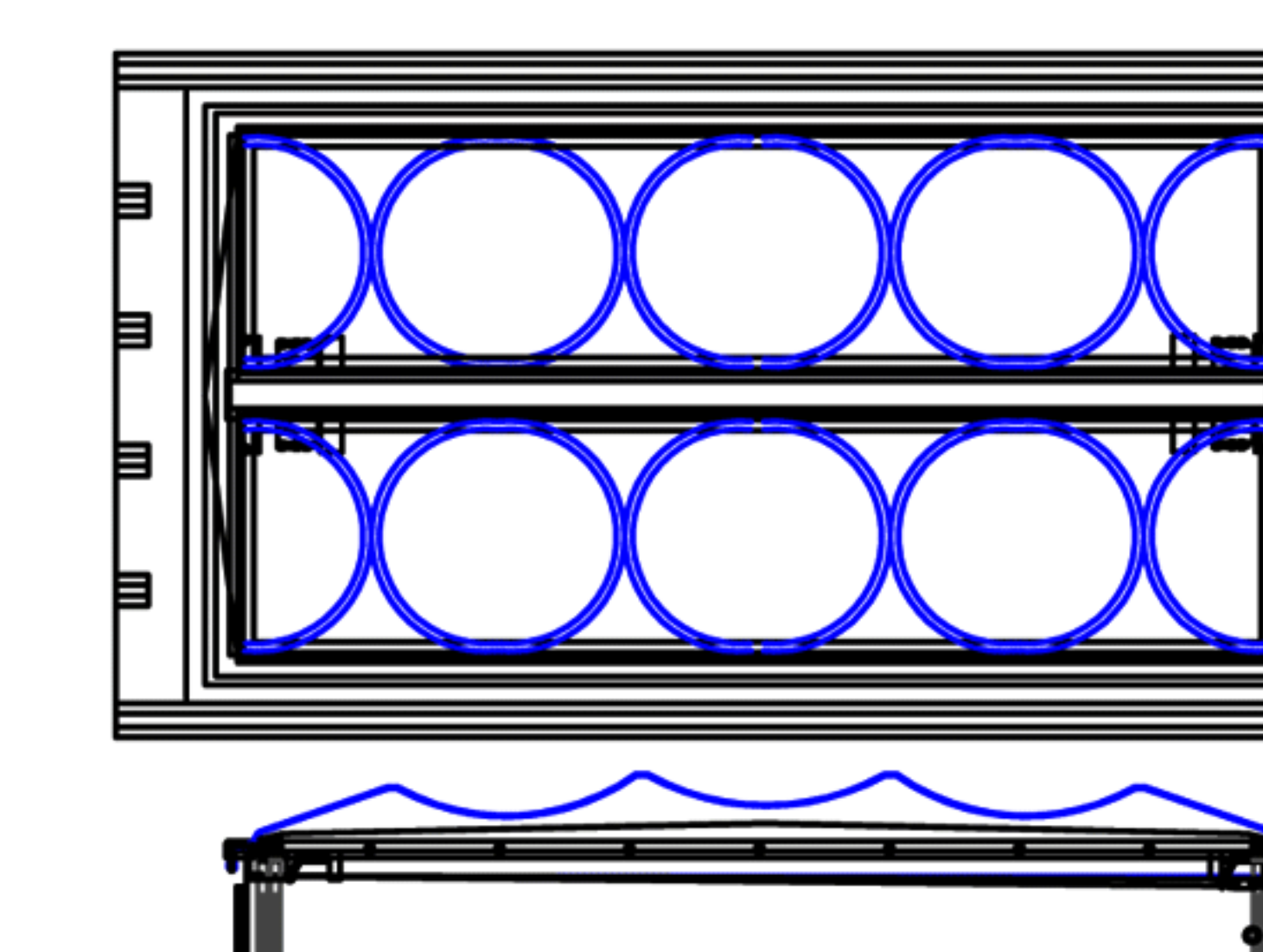
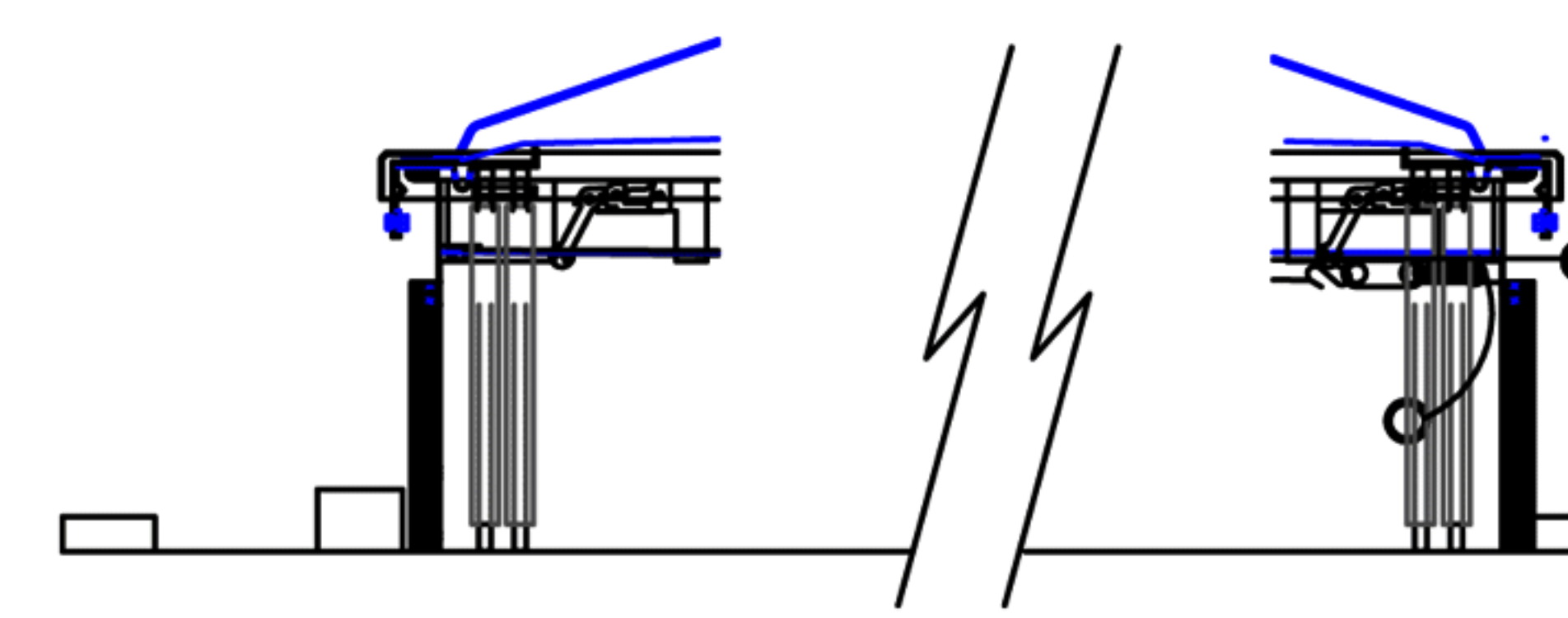
METAL BUILDING  
MB1-12



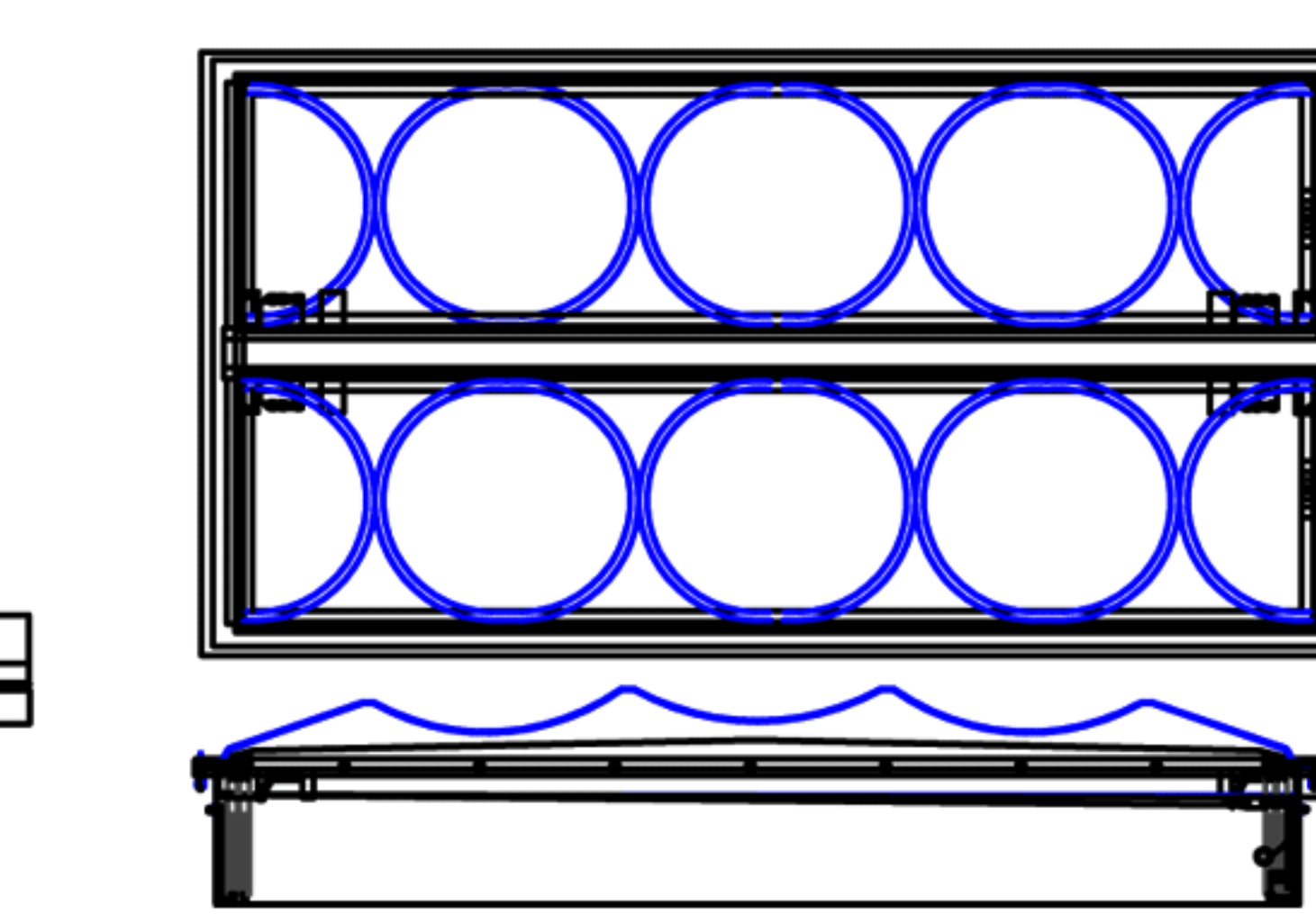
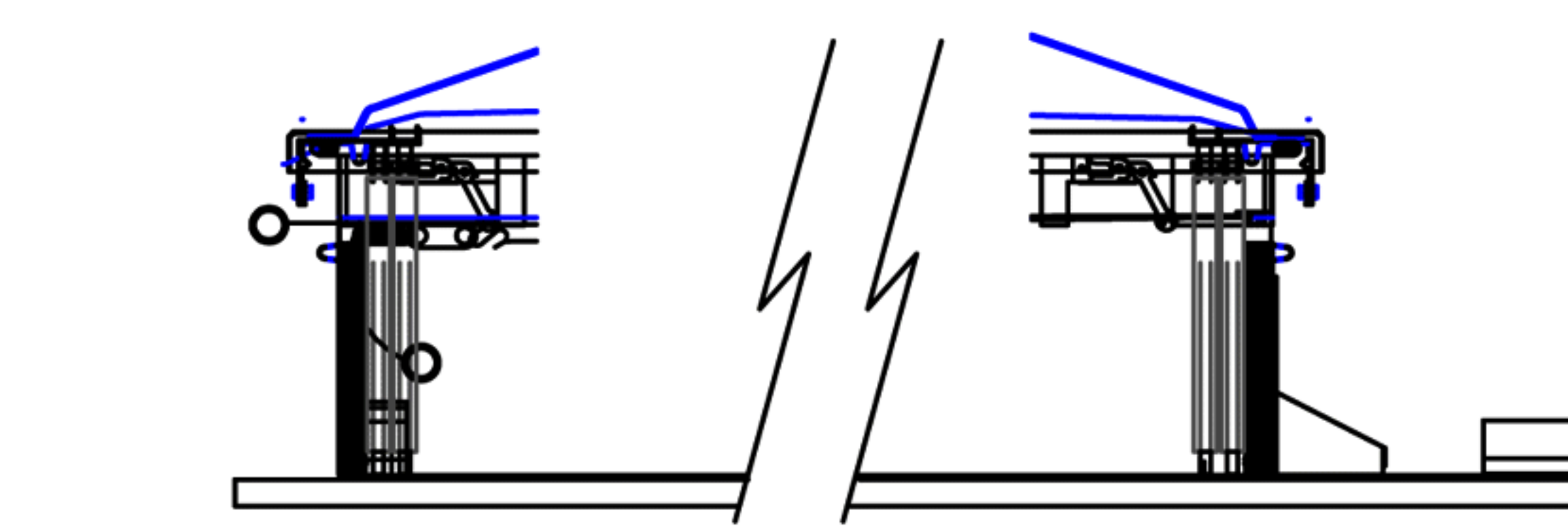
METAL BUILDING  
SEAM CLIP



METAL BUILDING  
LAY-OVER



METAL BUILDING  
INTERNAL FLANGE



**R&S Manufacturing and Sales**  
[www.RnSales.com](http://www.RnSales.com)  
[sales@RnSales.com](mailto:sales@RnSales.com)  
 805-375-3980 Fax 805-375-3981

CUSTOMER

QUANTITY

JOB NAME

MODEL

ARCHITECT

DATE