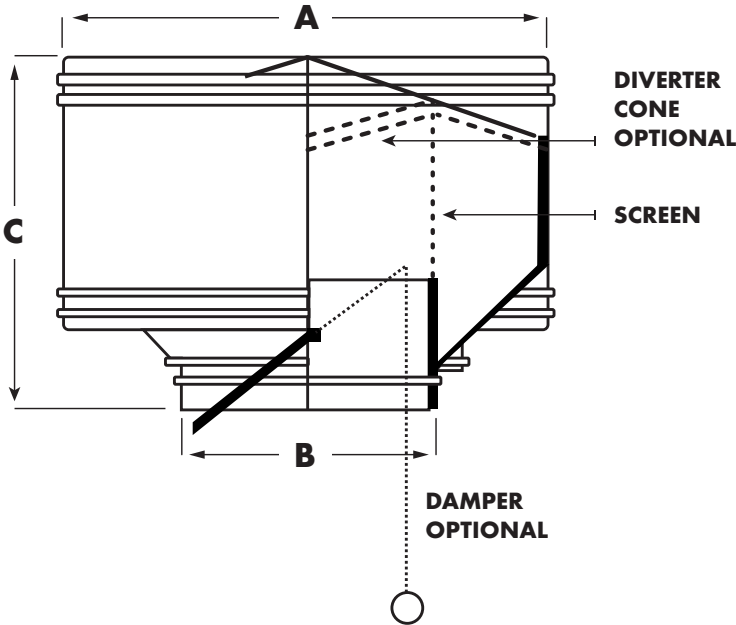




MODEL: RS8 • RS10 • RS12 • RS14 • RS16 • RS18 • RS20 • RS24

PRODUCT: RS ROUND INTAKE-RELIEF VENTILATOR



SPECIFICATIONS	
	Designed for gravity or relief ventilation
	Mill finish galvanized construction
	Weatherproof and stormproof under normal operating conditions
	½" Mesh 19 gauge galvanized birdscreen

OPTIONS

- Model B Base
- Model C Flat Collar Base
- Pitched Collar Top Metal Building Curb
- Disc Damper

AIR DRY ENAMEL OR POWDER COAT FINISH

- White
- Custom Color

Model	A - Width	B - Throat Diameter	C - Height*	Throat Area	Net Weight GALV (LBS) Range
RS8	13"	8"	9.5"	50.27"	6
RS10	16"	10"	11"	78.54"	7
RS12	19"	12"	13"	113.1"	10
RS14	22"	14"	14"	153.94"	15
RS16	25-1/2"	16"	15"	201.06"	20
RS18	30"	18"	18.5"	254.47"	30
RS20	32"	20"	19.5"	314.16"	36
RS24	38"	24"	22.5"	452.39"	45

*Note on Height – For curb mount models add 6" – 8"

QTY	MODEL	Metal Building Curb - Roof Pitch	Panel MFG	PANEL MODEL	SLOPE/RIDGE

Project _____ **Contractor** _____
Location _____ **Approved By** _____
Date _____ **Date Approved** _____